

Solar Powered Ceiling Ventilator



SUNNY INTERNATIONAL POWER LTD

Product Description

SIPL Solar Ceiling Ventilator is a green solar powered ceiling mounted centrifugal ventilation fan, driven by brushless DC motor and run for air exchanging, to improve indoor air circulation freely at no cost.

Functions

- Strengthen air circulation
- Deduct harmful mildews
- Remove heat, moisture, dust, odor
- Solar dc powered, no rely on grid power
- Efficient power backup for running 24h

Advantages

- 0 electricity cost
- Quiet operation
- Easy installation & wiring
- Energy saving & eco-friendly
- Good motor driven for Longer lifespan
- Once Pay, Benefit Long



Application

Serves Well Everywhere

Suits All Kinds of Building Installation

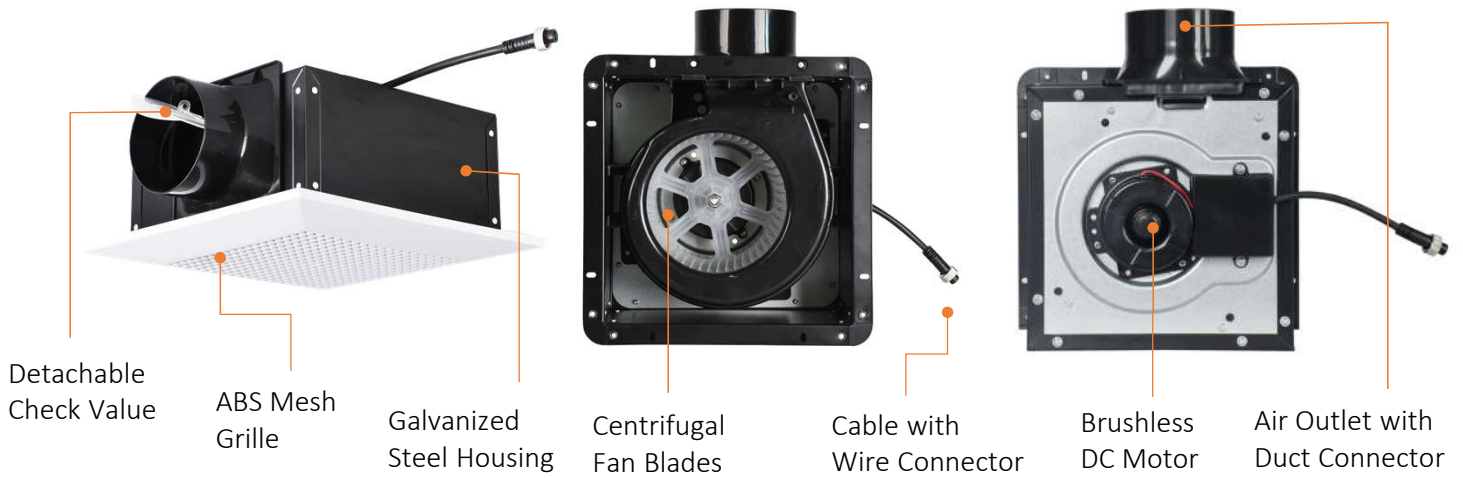
Go Green Life throughout 24h!

- Living room / Bathroom / Bedroom / Study Room...
- Office/ Hotel / Restaurant / Conference Center...



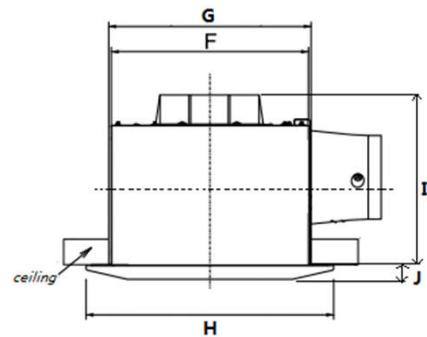
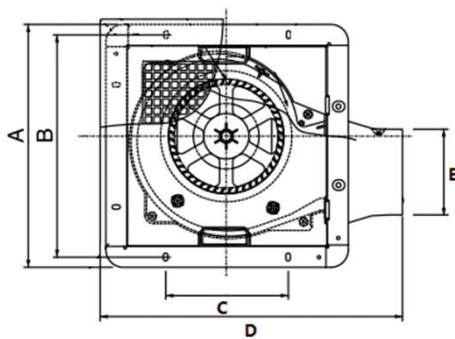
Solar Fan Details

Ceiling Ventilator Fan



➤ Dimension Table

| Option # | A (MM) | B (MM) | C (MM) | D (MM) | E (MM) | F (MM) | G (MM) | H (MM) | I (MM) | J (MM) |
|----------|--------|--------|--------|--------|--------|--------|--------|--------|--------|--------|
| 4" | 278 | 255 | 140 | 345 | 100 | 230 | 240 | 300 | 175 | 16 |



➤ Fan Motor Parameter

| #78mm Brushless DC Motor | |
|--------------------------|---|
| Voltage | 6~21V |
| Power | ≤40W |
| Diameter | 78mm |
| Motor Speed | 30-1750RPM (per solar panel input) |
| IP Rate | IP63 |
| Sound | No noise (< 45dB) |
| Designed lifetime | 10 Years |

Good Brushless Motor for Long Time Lifespan, High Energy Efficiency!



Solar Panel

- 18W / 30W / 60W Polycrystalline Solar Module
- Tiltable and Adjustable Design with Mounting Base and Brackets
- Waterproof Wire Connector to connect with fan
- Can Carry Battery kit to Store Energy for Night Use



| Option # | L (MM) | W (MM) | H (MM) | Battery | Function |
|--------------------|--------|--------|--------|---------|--|
| 17W | 365 | 365 | 25 | / | for ventilator working in sunny day periods |
| 30W | 495 | 415 | 25 | | |
| 60W (30W + 30W) | 782 | 495 | 30 | 9.6Ah | 30W to power ventilator in sunny day hours, 30W to charge battery as energy backup for sunless periods |



➤ Solar Battery System

The battery collects & stores energy at day time to support the solar ventilator work continuously after sunset.

Battery: lithium iron phosphate battery, inbuilt & integrated with solar panel

Charge: charged by solar panel

Capacity: 9.6Ah

Operating temperature: -20~60°

Cycle life: 2000 times

Model Selection

Day Time Freely Running Solar Ceiling Ventilator



fan auto-runs powered by solar panel in sunny hours, when sunlight is available



| Models# | Solar Panel | Air Outlet | Mesh Cover | Air Flow | Work Time |
|-----------|-------------|------------|------------|----------|-----------------|
| SN2015003 | 18W /18V | Dia.100mm | 300x300mm | 150CFM | Sunny Day Hours |
| SN2016025 | 30W /18V | | | 300CFM | |

Day & Night Time Nonstop Running Solar Ceiling Ventilator



fan auto-runs powered by solar panel in sunny hours, and keeps running by auto-switching to grid power in sunless time



| Models# | Solar Panel | Air Outlet | Mesh Cover | Air Flow | Energy Backup |
|-----------|-------------|------------|------------|----------|-------------------------------|
| SN2016017 | 18W /18V | Dia.100mm | 300x300mm | 150CFM | 1.5A* 18V AC/DC Power Adapter |
| SN2016026 | 30W /18V | | | 300CFM | |

Day & Night Time Nonstop Freely Running Solar Ceiling Ventilator



fan auto-runs powered by solar panel in sunny hours, and keeps running by auto-switching to battery in sunless time



| Models# | Solar Panel | Air Outlet | Mesh Cover | Air Flow | Energy Backup |
|-----------|----------------------------|------------|------------|----------|-----------------------------------|
| SN2016027 | 60W (30W /18V+30W/16V) | Dia.100mm | 300x300mm | 300CFM | 0.5A * 12.8V Solar Battery System |

Switch Options



Remote Controller

A wireless remote switch to have solar fan run/ stop most flexibly at any time, includes On/Off & 2hrs/4hrs Time Off functions; the fan will resume running automatically after 12 hours from the remote setting time; One-to-many control is workable within 15m.



Snap-action Thermostat

Attaching a thermostat to have the solar fan run / stop mechanically at preset temperature.

[25°C thermostat] On: 25°C +/-3°C; Off: 18°C +/-5°C
[28°C thermostat] On: 28°C +/-3°C; Off: 21°C +/-5°C



Power Cord Switch

A manual switch is added to have the solar fan on / off flexibly as per your need.

Duct Fan Accessories

Aluminium foil tube / Hose clamp / Tee joints / Vent cap / Air grille



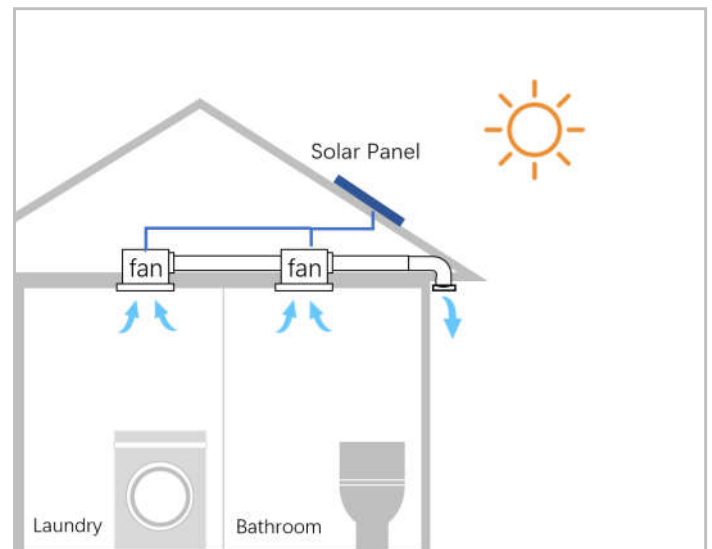
- Add Pipeline for long distance air exhaust
- Add vent caps to prevent outside rains
- Use tee joints to form a ventilation system

Easy to find from local market, such accessories are not in our list. If you need them also from us, please let us know.

Solar Ventilation System

Several ceiling exhaust fans can be powered by 1 big solar panel.

So you can customize a solar ventilation system per your own need, making the most of the Heaven-sent sunlight, to make your house well-ventilated with fresher air and more comfortable!



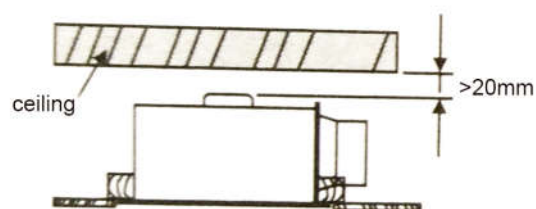
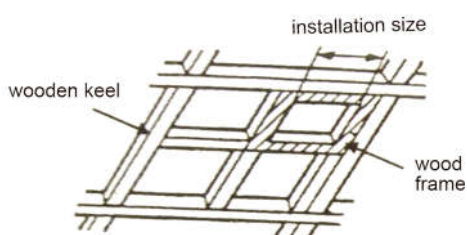
Installation Guide

Some Relative Instruments

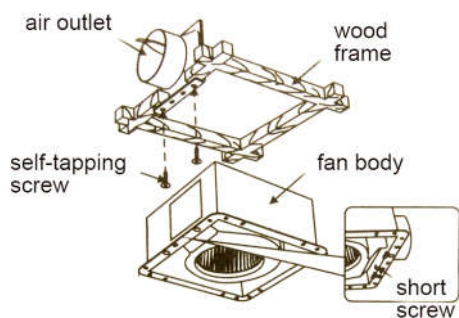


6 Steps to Install the fan housing

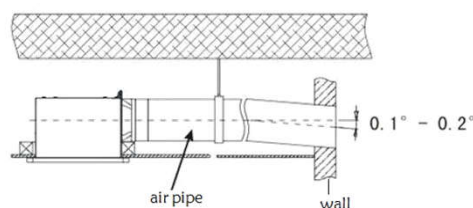
1. Install the wooden frame on the ceiling wood keel as per the installation dimensions. (240x240mm)



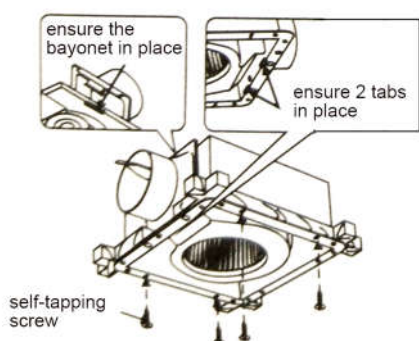
2. Remove the air outlet from fan body.
As the picture shows, install the outlet on wooden frame and make them well fixed.



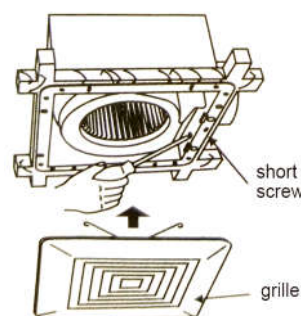
3. If add air pipe, connect the pipe to the duct connector with tape/ ties. Position the pipeline, and make sure there is at least 10cm straightly connected with fan blower's air outlet, and there is a downward part to the outside piping.



4. Push the fan body into the wooden frame, and fit it to the air outlet. Use 4 self-tapping screws to secure fan body.



5. Use short screws to secure the air outlet to the body.
6. Test running and install grille with springs.



Warranty

| Product Part | Designed Lifespan | Warranty |
|---------------------|-------------------|----------|
| Metal Casing | 8 Years | 5 Years |
| Solar Panel | 25 Years | 15 Years |
| Brushless DC Motor | Over 10 Years | 5 Years |
| Lithium Battery | 8 Years | 2 Years |
| AC/DC Power Adapter | 5 Years | 2 Years |

The hereby lifespan & warranty terms are based on the product be used in regular residential housings, but not in those too humid or extreme condition places with acid and alkali corrosive gas / liquids.

Contact us

Thanks for your kind attention on our solar products.
Please feel free to contact us for any further inquiry.



SUNNY INTERNATIONAL POWER LTD

Tel: 0086 750-6219188 Fax: 0750-6219198

Email: sales@sunnyintlpowerltd.com

Website: www.sunnyintlpowerltd.com

www.sipl.en.alibaba.com



Enjoy the sunlight, and stay
cool with SIPL solar fans!



We believe solar innovation makes a
better place to live, both for us and
future generations...