



Solar Powered Louvered Wall Fan



SUNNY INTERNATIONAL POWER LTD

Product Description

SIPL Solar Louvered Wall Fan is a green solar powered wall mounted axial flow exhaust fan, driven by brushless DC motor and run for air exchanging, to improve indoor ventilation freely by enjoying the generous sunlight.

Functions

- Strengthen air circulation
- Deduct harmful mildews
- Remove heat, moisture, dust, odor
- Solar dc powered, no rely on grid power
- Efficient power backup for running 24h

Advantages

- Solar powered at zero electric cost
- DIY easy installation & wiring
- Operation quietly & efficiently
- Energy saving & eco-friendly
- Good motor driven for longer lifespan
- Once Pay, Benefit Long

Application

- Living room / Bathroom / Kitchen
/ Study room / Garage / Basement
- Recreation Room / Office
/ Hotel / Restaurant

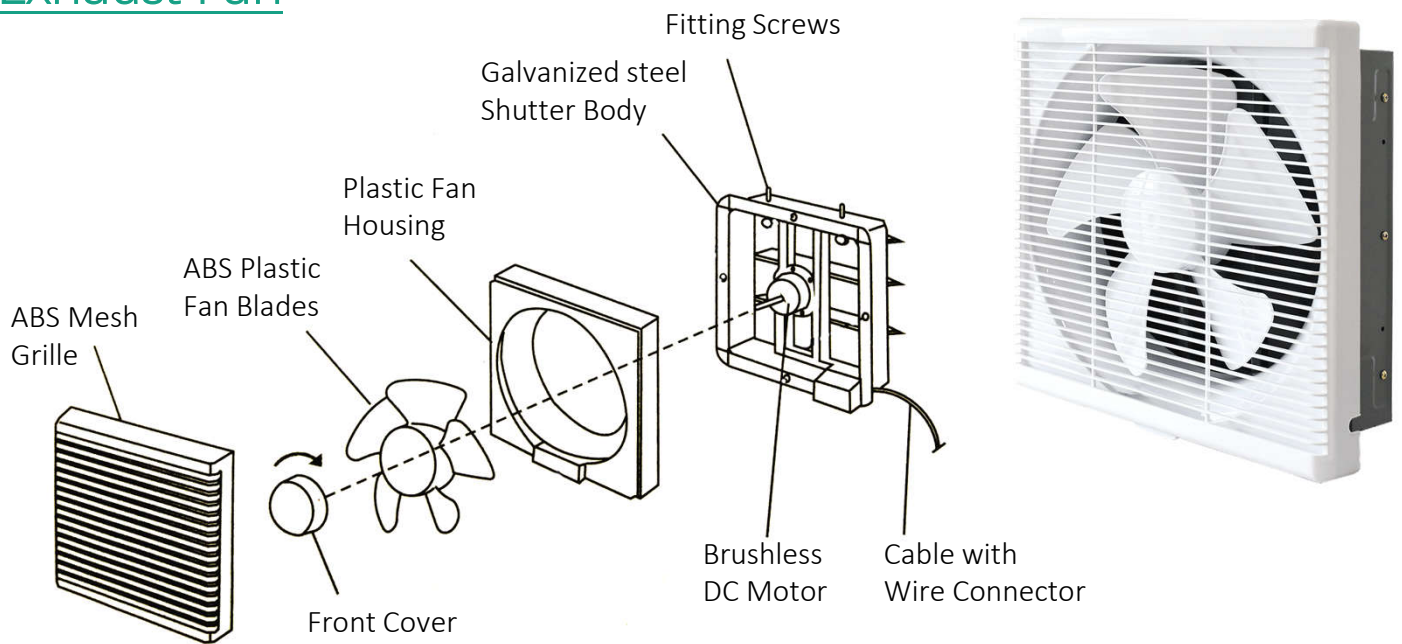
Serves Well Everywhere

Suits All Kinds of Building Installation

Go Green Life throughout 24h!

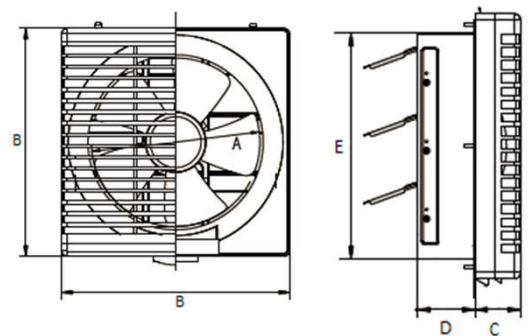


Exhaust Fan



➤ Dimension Table

Option #	A (MM)	B (MM)	C (MM)	D (MM)	E (MM)	Mounting Hole (MM)
8"	200	296	57	67	240	250*250
10"	250	342	60	74	290	300*300
12"	300	390	60	85	340	350*350



➤ Fan Motor Parameter

#78mm Brushless DC Motor

Voltage	6~21V
Power	≤ 40W
Diameter	78mm
Motor Speed	30-1750RPM per solar panel input
IP Rate	IP63
Sound	Quiet (< 45dB)
Designed Lifetime	10 years

Long time lifespan,
High energy efficiency!



Solar Panel

- 18W / 20W / 30W/ 60W / 90W Polycrystalline Solar Module
- Tiltable and Adjustable Design with Mounting Base and Brackets
- Waterproof Wire Connector to connect with fan
- Can Carry Battery Kit to Store Energy for Night Use



Option #	L (MM)	W (MM)	H (MM)	Battery	Function
18W	365	365	25	/	for fan working in sunny day periods
20W	365	410	25		
30W	495	415	25		
60W (30W + 30W)	782	495	60	9.6Ah	30W to power fan in sunny day hours, 30W to charge battery as energy backup for sunless periods
90W (45W + 45W)	878	495	60	9.6Ah	45W to power fan in sunny day hours, 45W to charge battery as energy backup for sunless periods



➤ Solar Battery System

The battery collects & stores energy at day time to support the solar ventilator work continuously after sunset.

Battery: lithium iron phosphate battery, inbuilt & integrated with solar panel

Charge: charged by solar panel

Capacity: 9.6Ah

Operating temperature: -20~60°

Cycle life: 2000 times

Model Selection

Day Time Freely Running Solar Wall Exhaust Fan



fan auto-runs powered by solar panel in sunny hours, when sunlight is available



Models#	Solar Panel	Mesh Cover	Mounting Hole	Air Flow	Work Time	Power Source
SN2015007	18W /18V	8"	250x250mm	295CFM	Sunny hours	Solar panel
SN2015008	20W /18V	10"	300x300mm	550CFM		
SN2015009	30W / 19.5V	12"	350x350mm	980CFM		

Day & Night Time Nonstop Running Solar Wall Exhaust Fan



fan auto-runs powered by solar panel in sunny hours, and keeps running by auto-switching to grid power in sunless time

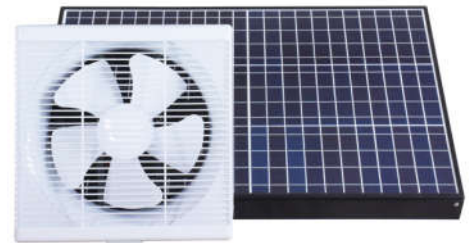


Models#	Solar Panel	Mesh Cover	Mounting Hole	Air Flow	Work Time	Backup Energy
SN2016019	18W /18V	8"	250x250mm	295CFM	Day & night 24 hours	1.5A * 18V AC/DC power adapter
SN2016021	20W /18V	10"	300x300mm	550CFM		
SN2016023	30W / 19.5V	12"	350x350mm	980CFM		

Day & Night Time Nonstop Freely Running Solar Wall Exhaust Fan





fan auto-runs powered by solar panel in sunny hours, and keeps running by auto-switching to battery in sunless time

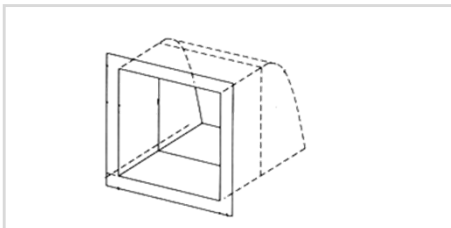


Models#	Solar Panel	Mesh Cover	Mounting Hole	Air Flow	Work Time	Backup Energy
SN2016020	60W (30W/19.5V + 30W /16V)	8"	250x250mm	295CFM	Day & night 24 hours	0.5A * 14.6V Solar battery
SN2016022	60W (30W/19.5V + 30W/16V)	10"	300x300mm	550CFM		
SN2016024	90W (45W/ 19.5V + 45W/ 16V)	12"	350x350mm	980CFM		

Switch Options

	<p><u>Remote Controller</u></p> <p>A wireless remote switch to make solar fan run/ stop most flexibly at any time, includes On/Off & 2hrs/4hrs Time Off functions; the fan will resume running automatically after 12 hours from the remote setting time; One-to-many control is workable within 15m.</p>
	<p><u>Snap-action Thermostat</u></p> <p>Attaching a thermostat to have the solar fan run/ stop mechanically at preset temperature.</p> <p>[25°C thermostat] On: 25°C +/-3°C; Off: 18°C +/-5°C [28°C thermostat] On: 28°C +/-3°C; Off: 21°C +/-5°C</p>
	<p><u>Manual Switch with Power Cord</u></p> <p>A manual switch is added to have the solar fan on / off flexibly as per your need.</p>
	<p><u>Adjustable Thermostat with Bypass Switch</u></p> <p>An adjustable thermostat (0°C~50°C / 50°F~122°F) and a bypass switch are combined to make solar fan run/ stop more flexibly at any time; the switch button can bypass thermostat to always have the fan ON; include 2m cable to connect with fan.</p>

More Fan Accessory

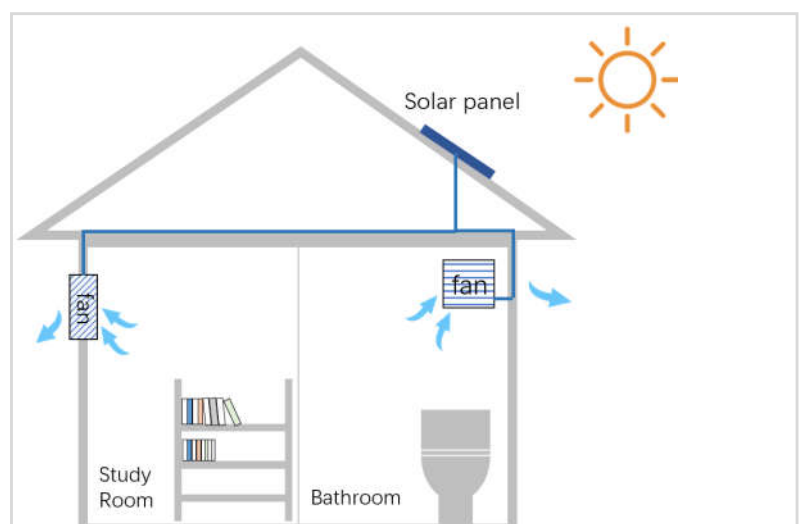


Outdoor Hood, such kind of hoods are supposed easy to find from local market, so they are not among our regular accessory list, but if you need them also from us, please let us know.

Solar Ventilation System

Several wall exhaust fans can be powered by one big solar panel.

So now you can customize a solar ventilation system per your need, to let your space breathe freely by enjoying the generous sunlight!



Warranty

Product Part	Designed Lifespan	Warranty
Plastic / Metal Casing	8 Years	5 Years
Solar Panel	25 Years	15 Years
Brushless DC Motor	10 Years	5 Years
Lithium Battery	8 Years	2 Years
AC/DC Power Adapter	5 Years	2 Years

The hereby lifespan & warranty terms are based on the product be used in regular residential housings, but not in those too humid or extreme condition places with acid and alkali corrosive gas / liquids.

Contact us

Thanks for your kind attention on our solar products.
Please feel free to contact us for any further inquiry.



SUNNY INTERNATIONAL POWER LTD

Tel: 0086 750-6219188 Fax: 0750-6219198

Email: sales@sunnyintlpowerltd.com

Website: www.sunnyintlpowerltd.com

www.sipl.en.alibaba.com



Enjoy the sunlight, and stay
cool with SIPL solar fans!



We believe solar innovation makes a
better place to live, both for us and
future generations...