

## China Starwin OTM45 On The Move Antenna Datasheet



There are different installation methods according to different models.  
The figure below refers to the SUV model.



Antenna Controller

**China Starwin Science & Technology Co., Ltd.**

Tel: +8629-88664381, E-mail: [sales@starwincom.com](mailto:sales@starwincom.com), <http://www.starwincom.com>

**Copyright © 2019 China Starwin**

### Introduction:

China Starwin OTM45 0.45m Ku band On-The-Move antenna is an important part of vehicle mounted OTM station, it can maintain accurate and automatic tracking of satellites in the process of vehicle movement, establishing a continuous and reliable satellite communication connection. The typical application includes the transmission for data, voice and video between satcom OTM station and other fixed stations or mobile stations.

### Features:

- Light weight, strong adaptation to the vehicle
- Unique heat dissipation design
- Low profile, water droplet shape design
- High gain flat array antenna
- High tracking accuracy, to ensure that the carrier is bumpy, the antenna can stabilize communication.
- Communication distance is unrestricted, deployment flexibility

### Technical Specifications:

System Parameter	Tx	Rx
Working Frequency	13.75~14.5 GHz	10.70~12.75 GHz
Antenna Gain	≥33dBi @14.50 GHz	≥32dBi @12.75 GHz
Antenna Type	Flat panel horn array antenna	
Polarization	LP/CP (Can be changed by software)	
Tx/Rx Polarization	According to Modem information, change through software	
Tx Power	≥3W (3W/8W/16W BUC optional), Especially suitable for HTS satellites	
Rx LO.	10.6/9.75GHz (Switching through 22K)	
Tracking Accuracy	≤0.3°	
GPS	Built In	
WiFi	Built In, IEEE 802.11n	
Colour	White (More than 500 units can be customized according to user needs)	
Protection Level	IP66	

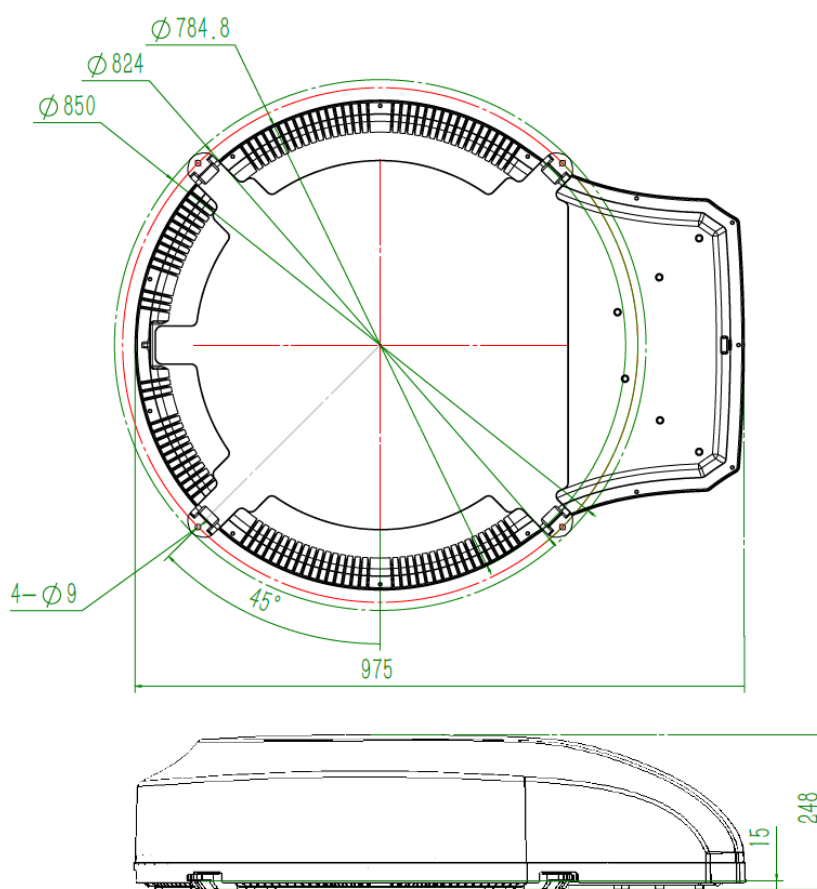
**China Starwin Science & Technology Co., Ltd.**

Tel: +8629-88664381, E-mail: [sales@starwincom.com](mailto:sales@starwincom.com), <http://www.starwincom.com>

**Copyright © 2019 China Starwin**

Stable Mode of Base	Stability of two axes	
Weight	26Kg (Include mounting plate)	
Cover Height	248 mm (Exclude mounting bracket)	
Cover Diameter	975×785mm	
<b>Tracking Performance</b>		
Tracking Mode	Combining inertial measurement with signal tracking	
Capture Time of First Boot	<120s	
Repeat Boot	<30s	
Recapture Time After loss	Instantaneous capture (less than 2S)	
Rotation Range	Azimuth	N×360°Unlimited, continuous
	Elevation	0~90°
	Polarization	0~270° (The polarization is controlled by software)
Tracking Rate	Azimuth	≥100°/s
	Elevation	≥80°/s
	Roll	≥80°/s
Max Angular Acceleration	Azimuth	800°/s <sup>2</sup>
	Elevation	600°/s <sup>2</sup>
Max Car Body Movement	Max Car Body Movement	
<b>Power Supply</b>		
AC	AC96~265V/50Hz	
DC	DC10~26V	
System Power Consumption	<180W (Average)	
<b>Interface</b>		
Cable Interface	F-Type Connector	
<b>Working Environment Conditions</b>		
Working Temperature	-25°C~55°C	
Relative Humidity	0%~98%	

## Structural Dimensions



The outline dimension(L×W×H): 975 × 785 × 248mm

**China Starwin Science & Technology Co., Ltd.**

Tel: +8629-88664381, E-mail: [sales@starwincom.com](mailto:sales@starwincom.com), <http://www.starwincom.com>

**Copyright © 2019 China Starwin**