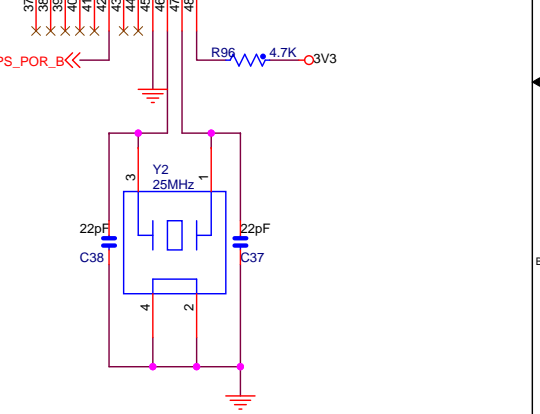
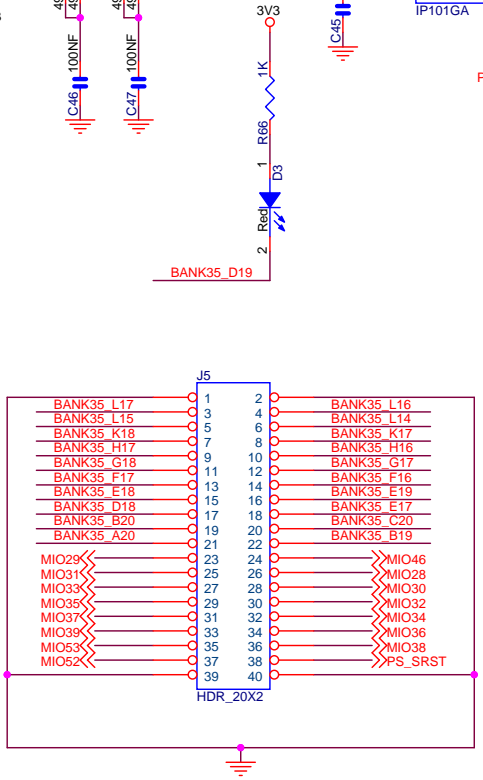
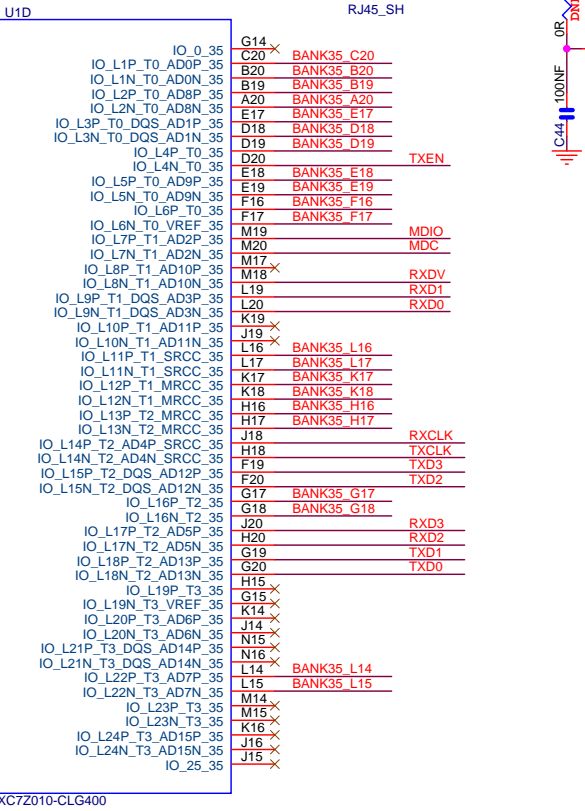
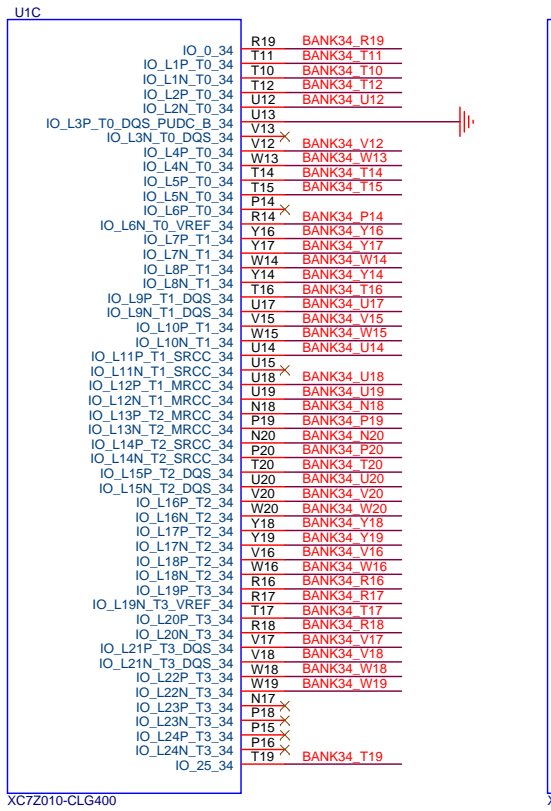
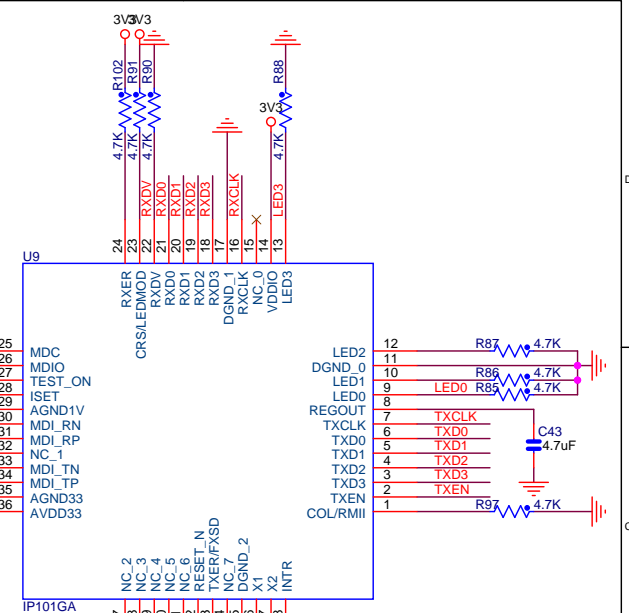
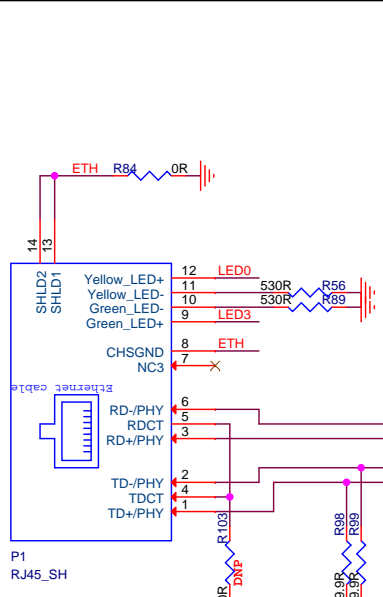
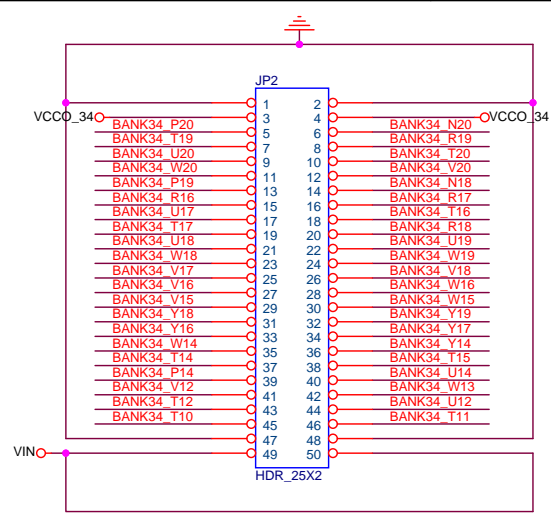


Title		
QMTECH-XC7Z010-STARTER-KIT		
Size	Document Number	Rev
Custom<Doc>		<1>
Date:	Monday, September 30, 2019	Sheet 1 of 4

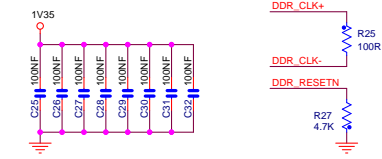
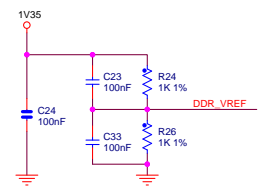
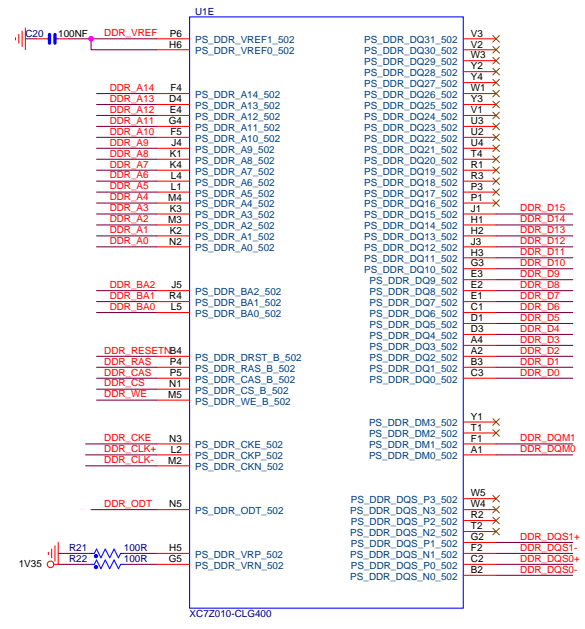
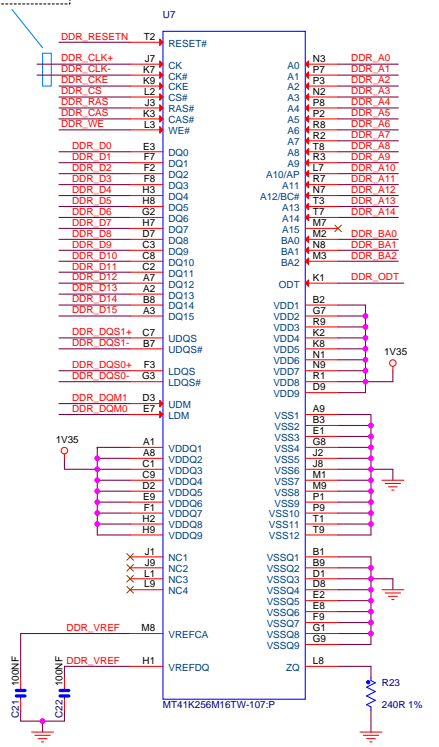


Title		
QMTECH-XC7Z010-STARTER-KIT		
Size	Document Number	Rev
B	<Doc>	<1>
Date:	Monday, September 30, 2019	Sheet 1 of 1

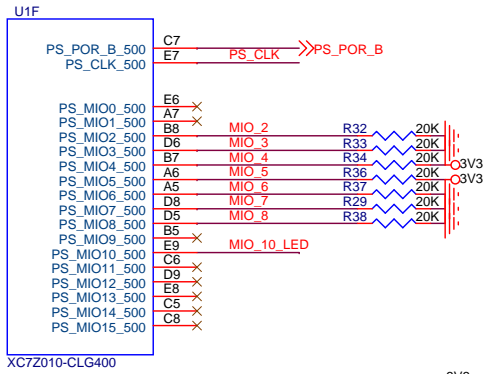
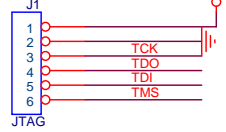
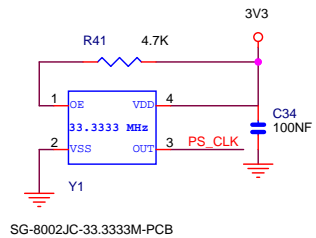
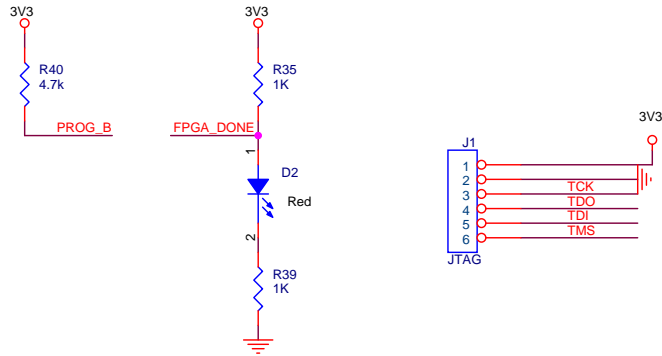
XC7Z010-CLG400

XC7Z010-CLG400

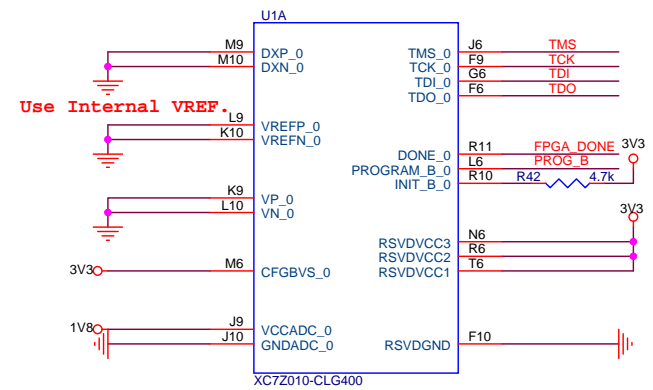
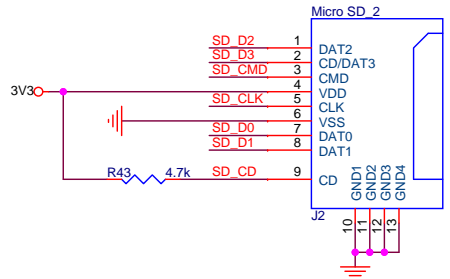
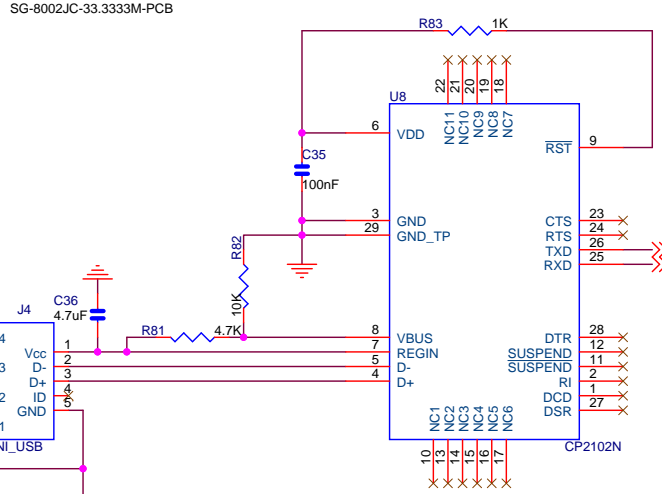
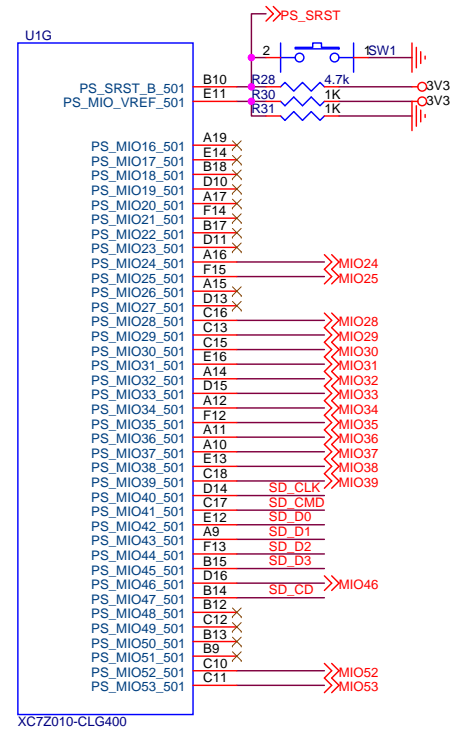
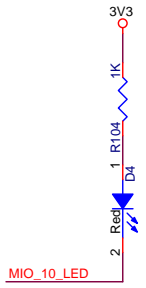
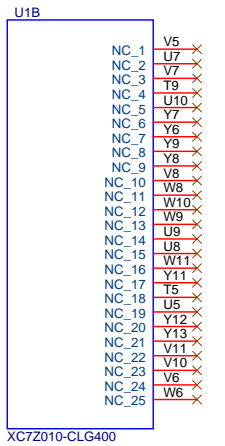
100 ohms differential trace impedance
Routing top or bottom



Title		
QMTECH-XC7Z010-STARTER-KIT		
Size	Document Number	Rev
A	<Doc>	<1>
Date:	Saturday, October 12, 2019	Sheet 2 of 4



JTAG Cascade mode
Default SD CARD Boot
PLL Enabled
BANK0/1 voltage is 3.3V



Title		
QMTECH-XC7Z010-STARTER-KIT		
Size	Document Number	Rev
B	<Doc>	<1>
Date:	Monday, September 30, 2019	Sheet 3 of 4