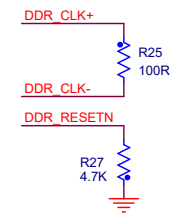
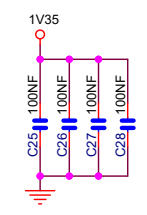
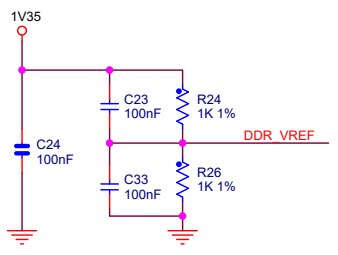
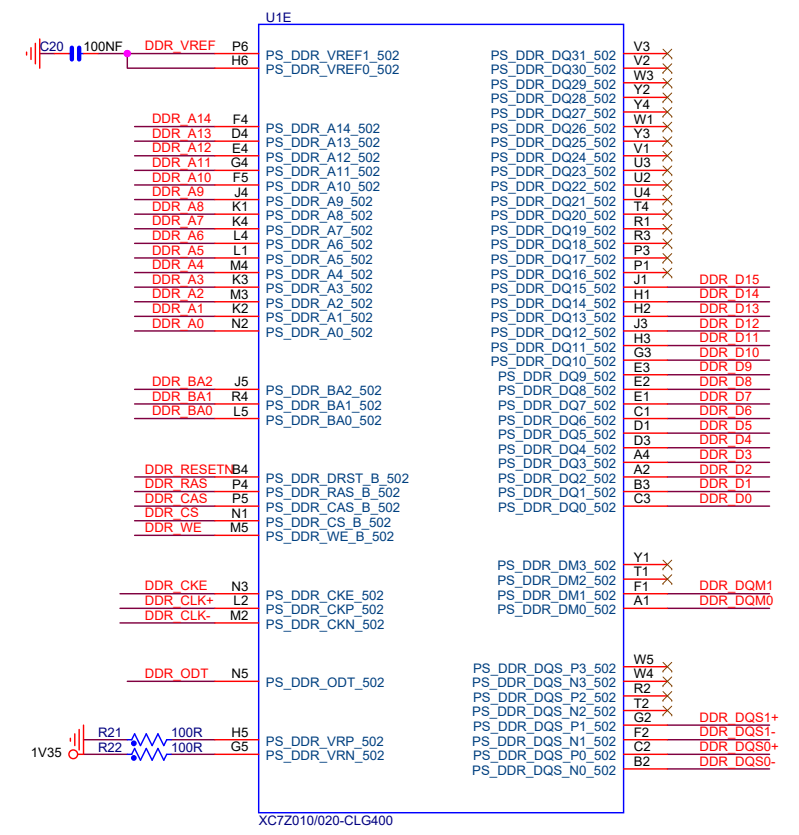
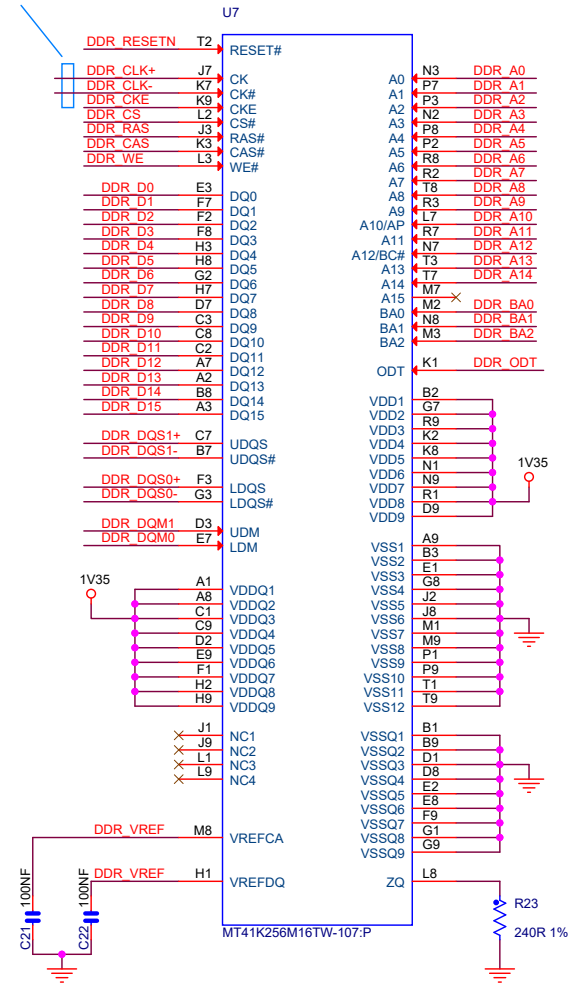
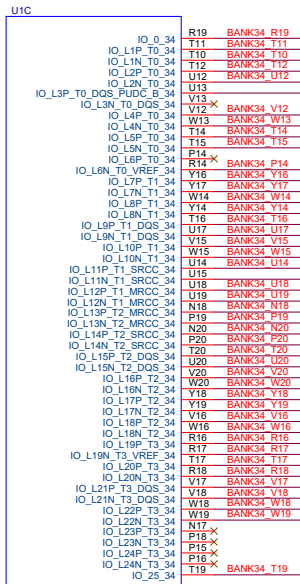


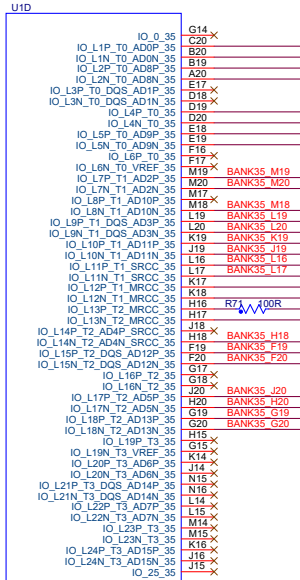
100 ohms differential trace impedance
Routing top or bottom



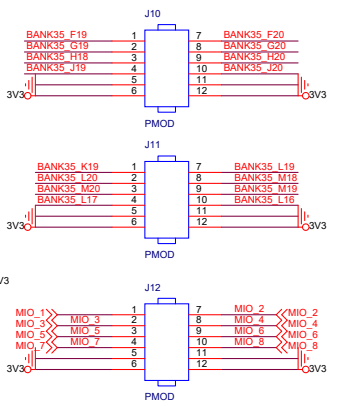
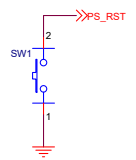
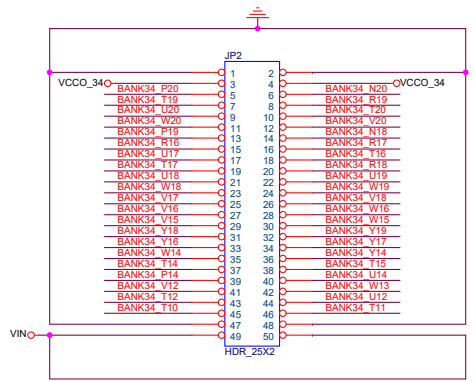
Title		
QMTECH-ZYNQ7000_BAJIE_BOARD		
Size	Document Number	Rev
B	<Doc>	<1>
Date:	Saturday, January 04, 2020	Sheet 1 of 1



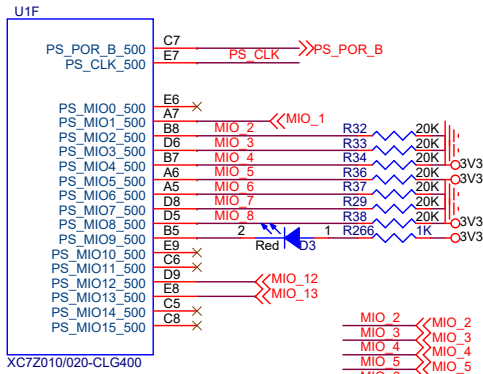
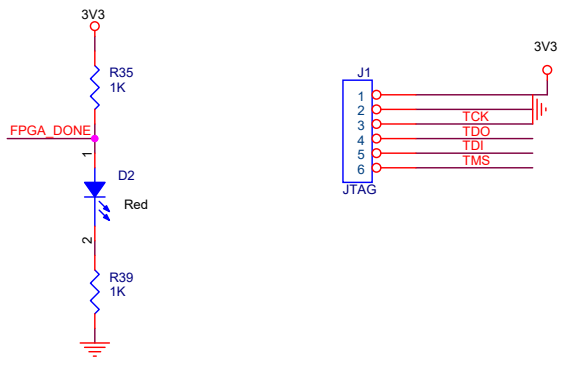
XC7Z010I020-CLG400



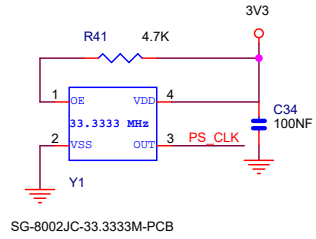
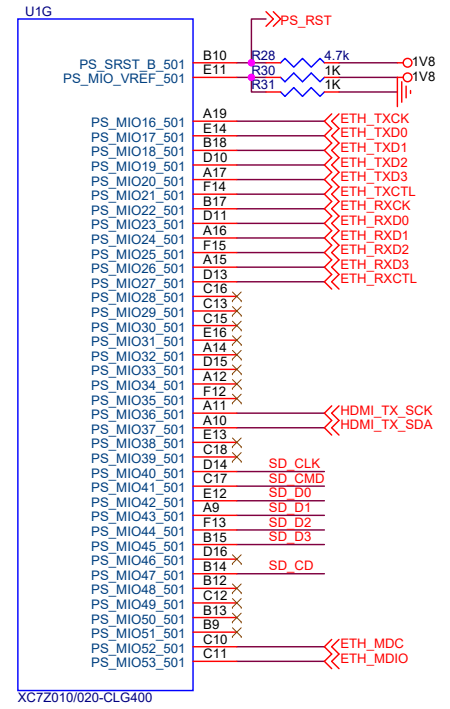
XC7Z010I020-CLG400



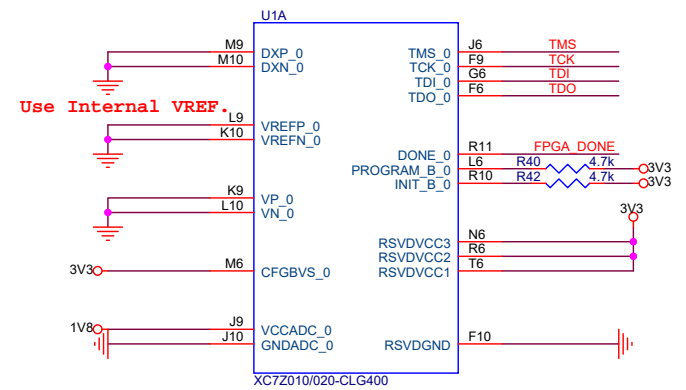
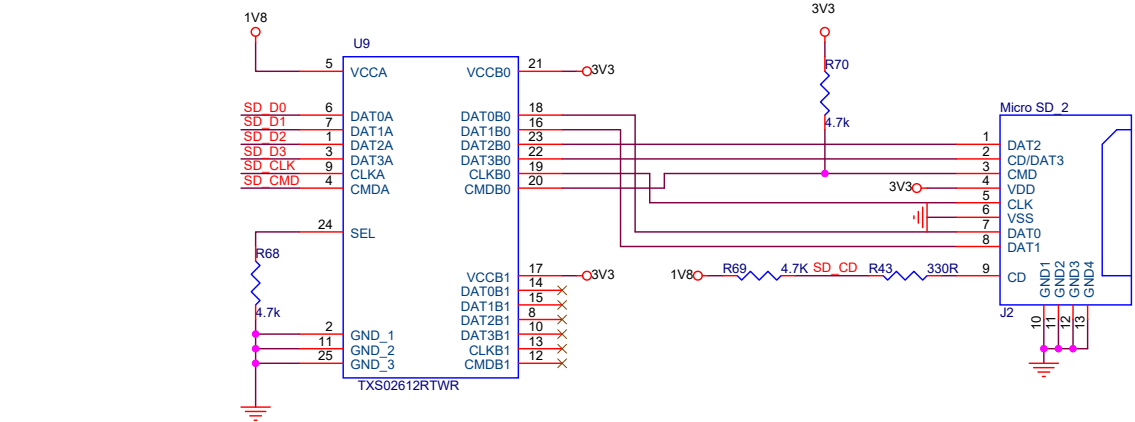
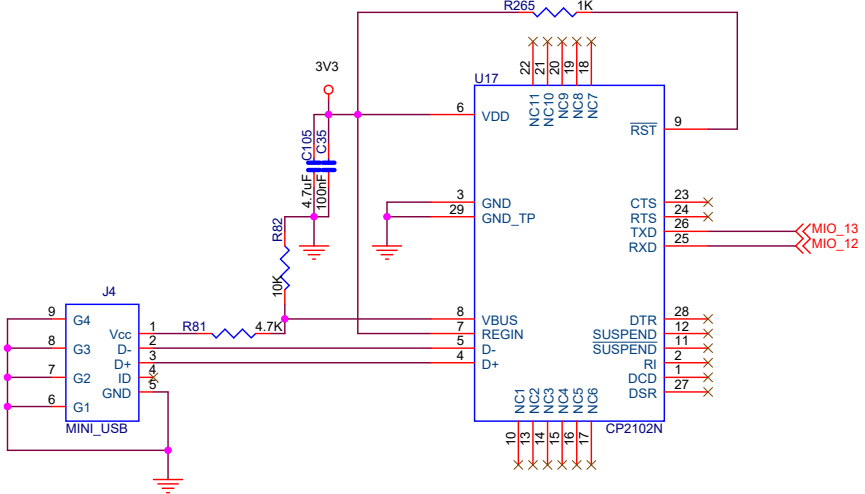
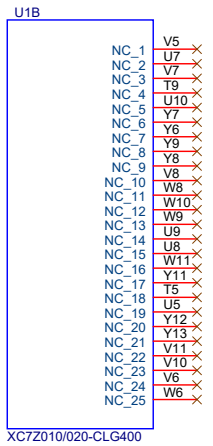
Title		
QMTECH-ZYNQ7000_BAJIE_BOARD		
Size	Document Number	Rev
A	<Doc>	<1>
Date:	Saturday, January 04, 2020	Sheet 2 of 4



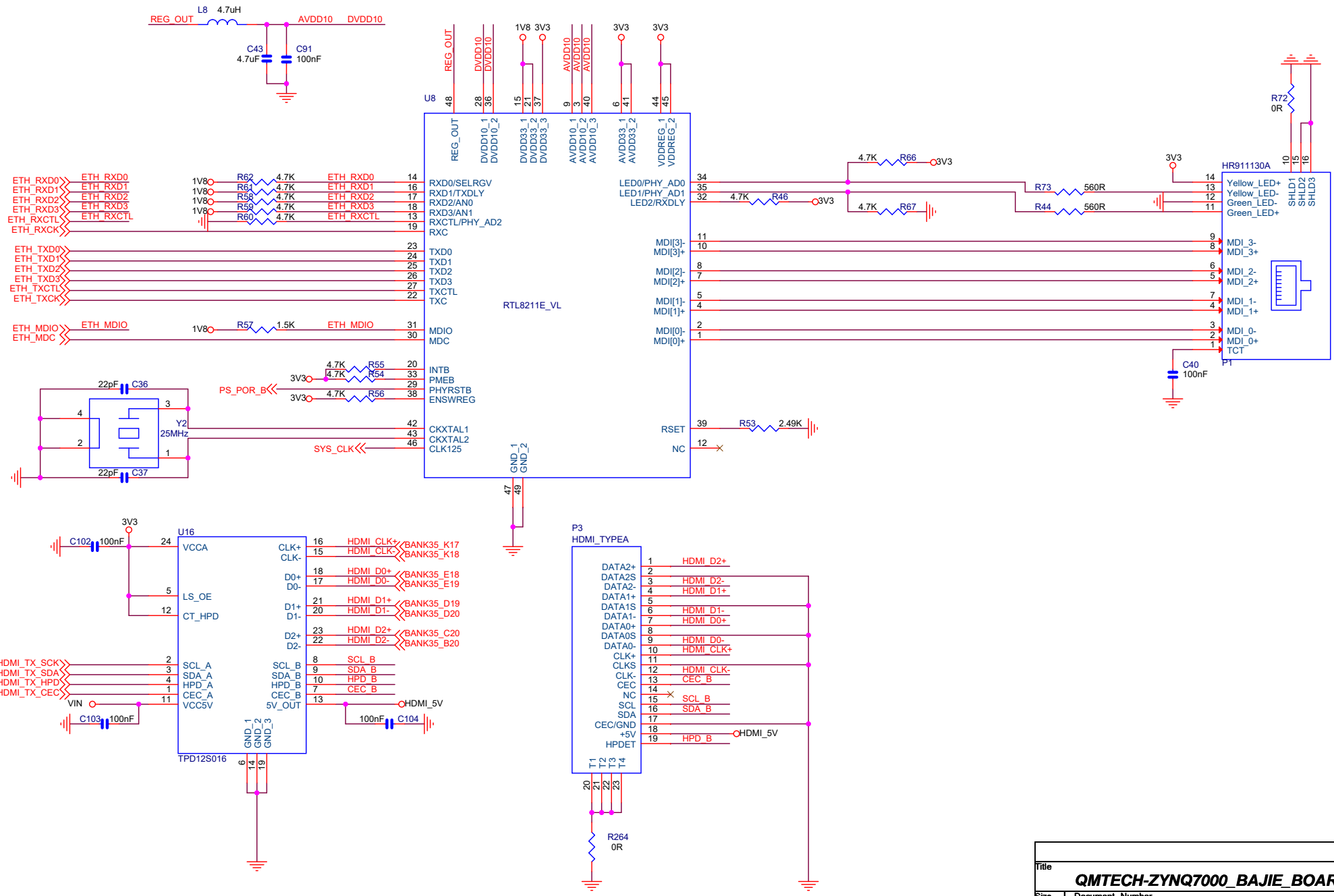
JTAG Cascade mode
Default SD CARD Boot
PLL Enabled
BANK500 voltage is 3.3V
BANK501 voltage is 1.8V



SG-8002JC-33.3333M-PCB



Title		
QMTECH-ZYNQ7000_BAJIE_BOARD		
Size	Document Number	Rev
B	<Doc>	<1>
Date:	Saturday, January 04, 2020	Sheet 3 of 4



Title		
QMTECH-ZYNQ7000_BAJIE_BOARD		
Size	Document Number	Rev
B	<Doc>	<1>
Date:	Saturday, January 04, 2020	Sheet 4 of 4