

## Single-phase six meter box (fluctuation structure)



### The product model and main configuration

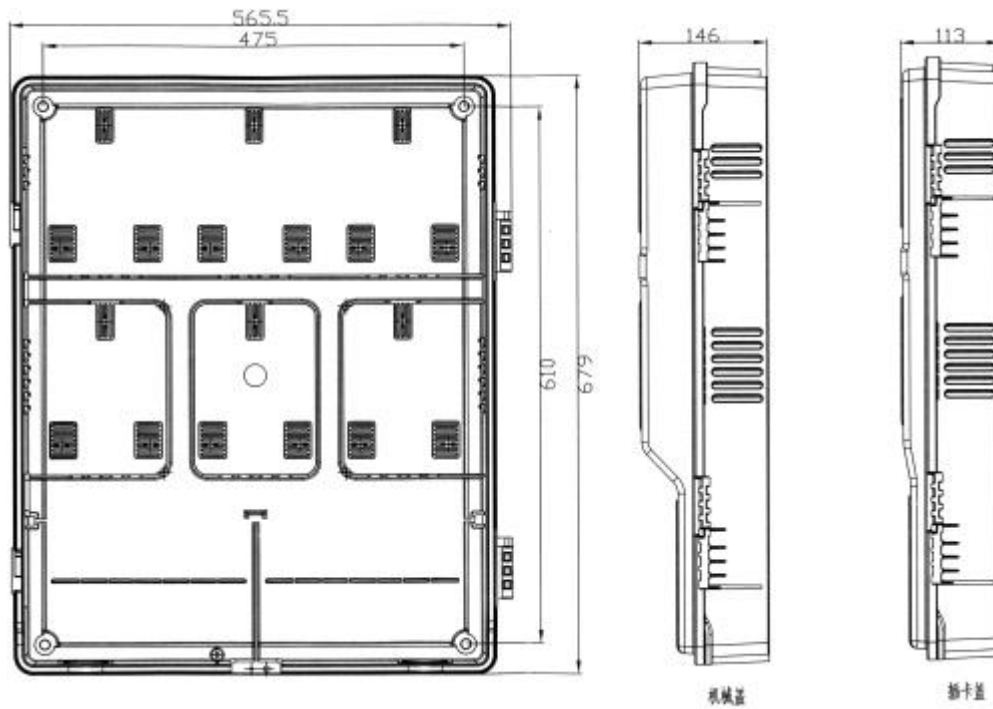
Model	Configuration	Name	Specifications	No.
HRBX-601	Bus configuration	terminals	2 in 12 out	1
	Table configuration	Circuit breaker	DZ47-60/2P	6
HRBX-602	main switch configuration	Circuit breaker	DZ158-125/2P	1
	Table former configuration	Terminals	1 in 6 out	2
	Table configuration	Circuit breaker	DZ47-60/2P	6
HRBX-603	main switch configuration	Terminals	Three-phase four-wire 6 families	1
	Table former configuration	Circuit breaker	DZ47-60/2P	6
	Table configuration	Junction box	6 in 6 out	1

#### Note:

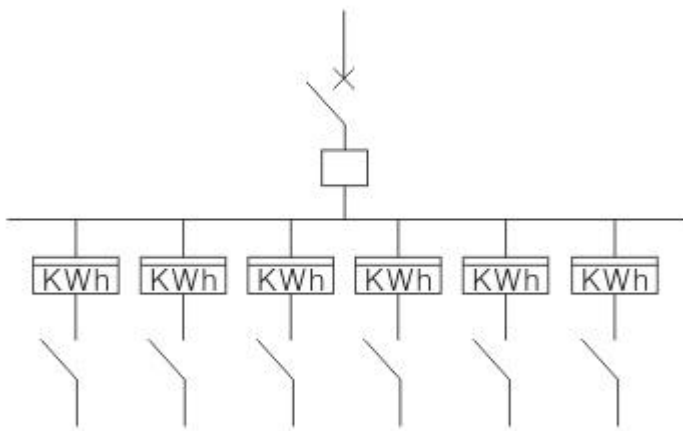
The total switch connections BV16mm<sup>2</sup> BV25mm<sup>2</sup>

Watt-hour meter connections BV6mm<sup>2</sup> BV10mm<sup>2</sup>

### Installation size chart



### The wiring diagram



### Notes to order

The plan for the company's parameters in the standard configuration, if the customer does not have clear requirements, the company will be standard equipment supply. Beyond the requirements of the plan shall be separately, please explain.