



XL-21 Low Voltage Distribution Box

Knkong Electric Co.,Ltd
No.25 Street,Hanghai Road,Zhengzhou,Henan,China
+86 371 6021 6611
info@knkong.cn
www.knkong.cn www.knkong.cc www.knkong.ru

Technical Parameters

Rated Voltage: AC 380V

Rated insulation voltage: AC 660V

Frequency: 50 /60 Hz

Rated current: ≤800A

Short-term tolerance current ability low: 10KA

Dielectric Strength: 2500/1min

Material: stainless steel /Cold rolled steel plate /Galvanized Steel

Thickness: 1.0mm-3.0mm

Application: Electric Power Transmission

Protection degree: IP30

Open the direction: The opening Angle is equal or greater than 135°

Standard: GB7251.1-2005

Certificate: ISO9001 CE /ISO /CCC /IEC 60439-1

Electric circuit: Included Ammeter, voltmeter

Working environment:

1.Ambient temperature: $-5\text{ }^{\circ}\text{C} \sim +40\text{ }^{\circ}\text{C}$, and the average temperature within 24h not exceed $+35\text{ }^{\circ}\text{C}$.

2.Altitude: not exceed 2000m.

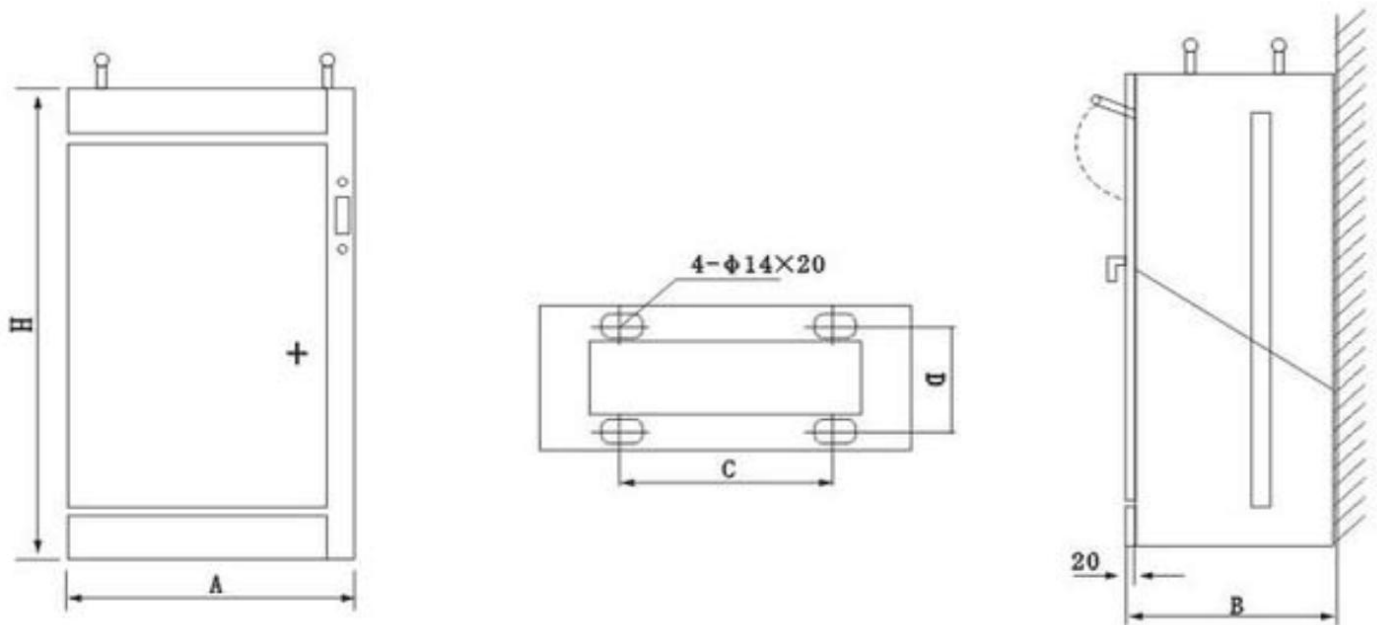
3.The ambient air temperature of $+40\text{ }^{\circ}\text{C}$ not more than 50%; at lower temperatures can have a higher relative humidity on (eg: $+20\text{ }^{\circ}\text{C}$ at 90%), taking into account the change in temperature allows the generation of a moderate condensation.

4.Equipment installation and the vertical gradient should not exceed 5°

5.Equipment should be installed in the absence of severe vibration, shock-free and corrosion-free place

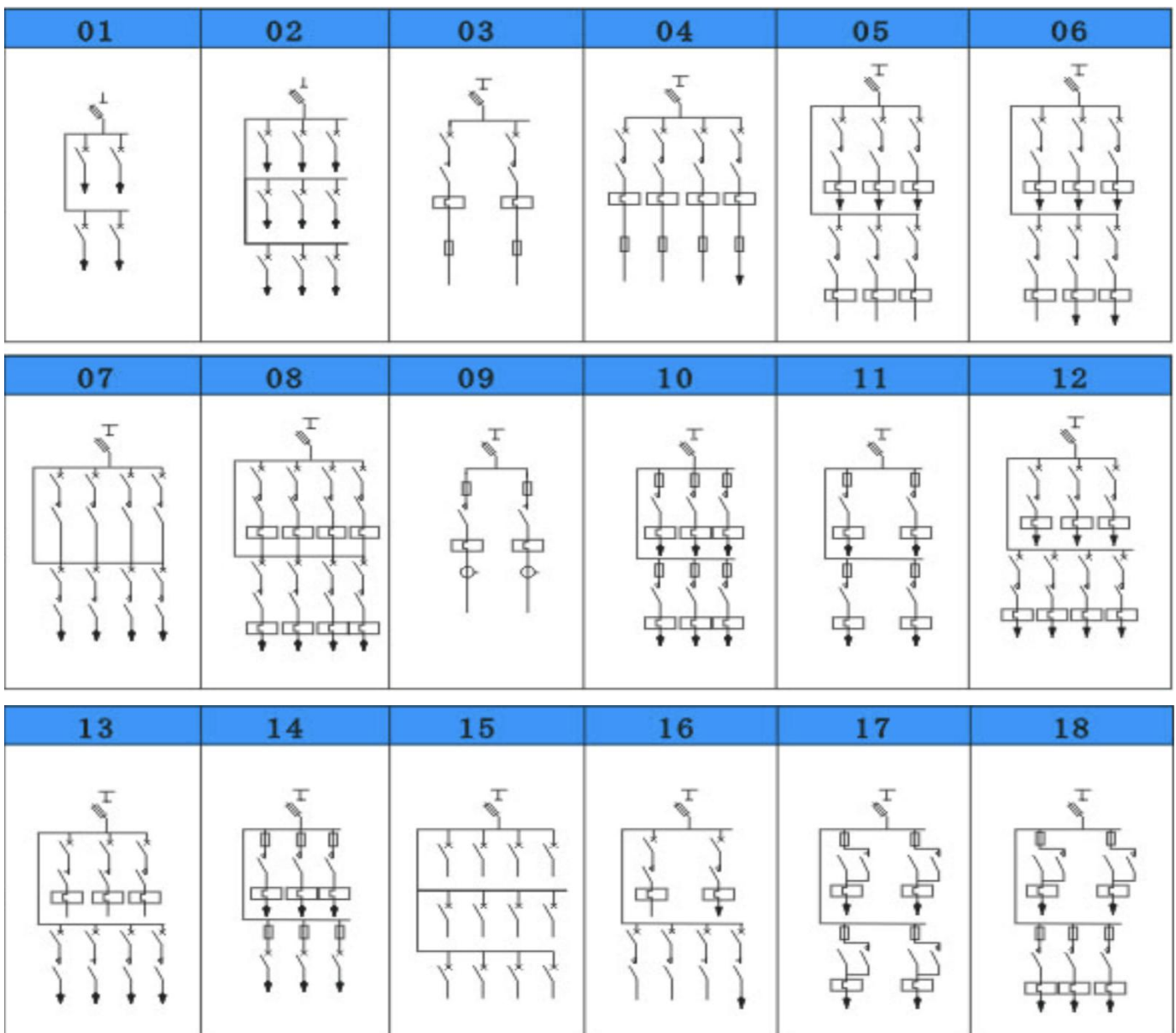
6.Note: More than the above conditions can be negotiated with the company.

Overall Dimension :



A	B	C	D	H
700	470	500	400	1700
700	370	500	300	1700
600	370	600	300	1600
800	370	500	300	1700
800	470	600	400	1800

SLD Program:



Knkong Electric Co.,Ltd
 No.25 Street,Hanghai Road,Zhengzhou,Henan,China
 +86 371 6021 6611
info@knkong.cn
 English:www.knkong.cn
 Español:www.knkong.cc
 Русский:www.knkong.ru