



36kV Outdoor VCB

- RVB-36N Motorize Type 20,000 reliable operations
- High Capacity, Ratings up to 2000A,31.5kA
- Environmentally-Friendly Gas and Oil Free



Knkong Electric Co.,Ltd

www.knkong.cn

www.knkong-electric.com

+86 0371 6021 6611

info@knkong.cn

No.25 street,Hanghai Road,Zhengzhou,Henan,China

➤ Overview

Knkong have developed the RVB-36 series of outdoor vacuum circuit breakers using modern processing technology and computer-aided design techniques, combined with the latest generation insulation technology and compact design make whole product light and save volume. .

RVB-36 family switches have a range of models to choose from:

RVB-36N ordinary outdoor vacuum circuit breakers, spring actuator comes standard with a mechanical design life of 10,000 times

RVB-36M is a magnetic actuator mechanism type VCB, which provide with a mechanical design life of 60,000 times.

Knkong all series switches meet the following criteria:

ANSI/IEEE C37.60/IEC 62271-100(GB1984-2003 China standard)

GBT11022-1999 China Standard

IEC 60255-11

IEC 60255-21-1 Class I

IEC 60255-21-2 Class I

IEC 60255-21-3 Class I

IEC 60255-22-1 Class III

IEC 60255-22-2 Class IV

IEC 60255-22-3 Class III

IEC 60255-22-4 Class IV

➤ Environmental Ratings

1. Ambient temperature: $-40\text{ }^{\circ}\text{C} \sim +85\text{ }^{\circ}\text{C}$, the daily average temperature: $25\text{ }^{\circ}\text{C}$;
2. Altitude: $\leq 3000\text{m}$ (in excess of the value of technical discussions with the Division I); Wind speed: 35m/s ;
3. Earthquake intensity: not more than 8 degrees;
4. Daily average ambient air relative humidity $\leq 95\%$, on average $\leq 90\%$;
5. Saturated vapor pressure of daily mean values $\leq 2.2 \times 10^{-3}\text{Mpa}$, on average $\leq 1.8 \times 10^{-3}\text{Mpa}$;
6. For Unusual environmental conditions, please consult with the manufacturer

➤ Main characteristics

Reliable motorized type spring mechanism

10,000 times mechanical life spring mechanism, provide with voltage options: DC and AC 110/220V for opening and trip coils.

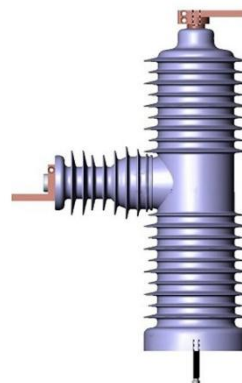
DC and AC 110/200V for motor and auxiliary heater or temperature and humidity control.



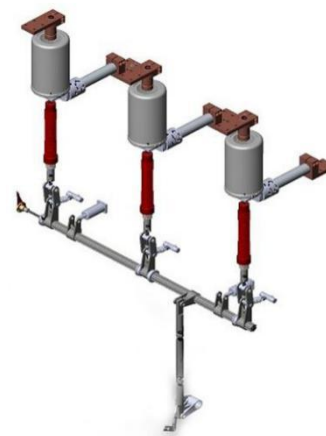
Primary busbar terminal direct connected bolted with the interrupter to reduce unnecessary power losses

Vacuum interrupter (APG process using solid-solid insulating sealing technology, plus silicone rubber molding compound technology to improve the overall switch environmental performance)

Extensible outlet bushing (plus modular design, which will help increasing insulation margin of creepage distance from further requirements)



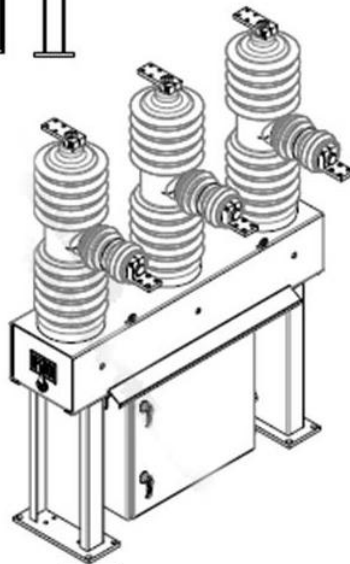
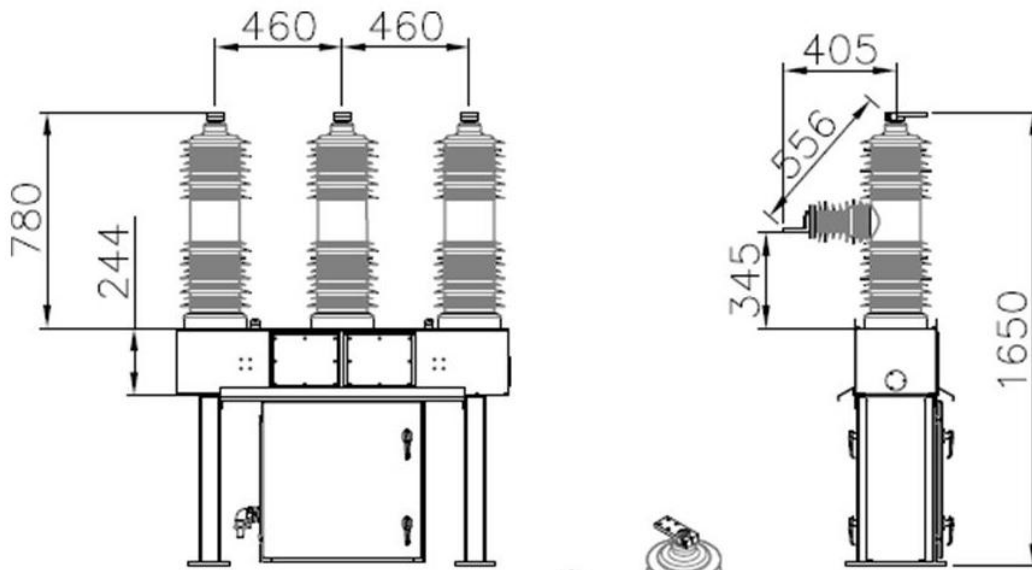
RVB series vacuum Circuit Breaker rejection of the traditional switch design concepts, will absorb some of the advanced design concepts, simplifying the overall transmission mode switch, greatly reducing the transmission power loss of this switch makes switching better overall performance and longer life. Makes the whole body switches provide a higher life expectancy, more stable mechanical properties. RVB-36N provides up to 10,000 mechanical operations 5,000 maintenance-free operations.



➤ **Technical**

No.	Item		Unit	Data
1	Rated voltage			36
2	Power frequency	Wet	kV	95
		Dry		110
	Lightning impulse withstand voltage(peak value)			185/200
3	Rated current		A	1250A/1600A
4	Rated short circuit breaking current		kA	25/31.5
5	Rated capacitor bank breaking current		A	600/800
6	Rated Full Fault Breaking Duty		Number	30
7	Rated making current		kA	63/80
8	Rated short circuit peak withstand current			
9	Rated short circuit withstand current			
10	Rated short time duration time		S	4
11	Complete breaking time		ms	≤100
	Opening time	Highest operate voltage		15~50
		Rated operate voltage		15~50
		Lowest operate voltage		30~60
	Closing time			25~50
12	Contact closing bounce time		ms	≤3
	Out of simultaneity of contact switching		ms	≤2
	Contact overtravel on Opening		mm	≤2
13	Mechanical life	20000(Normal)	100000(Magnetic actuator)*	
14	Electrical life(Rated onload switching)	10000(Normal)	20000(Frequent)	
15	Rated operate sequence	O-0.3-CO-180S-CO for RVB-36N		
16	Weight	≤250kg		

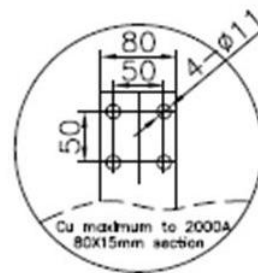
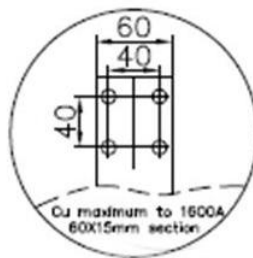
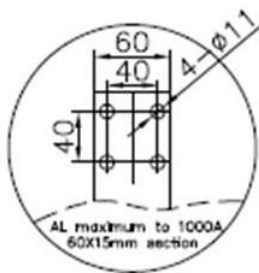
➤ **General Arrangement Breaker Only**



800A terminal

1250A terminal

1600A terminal

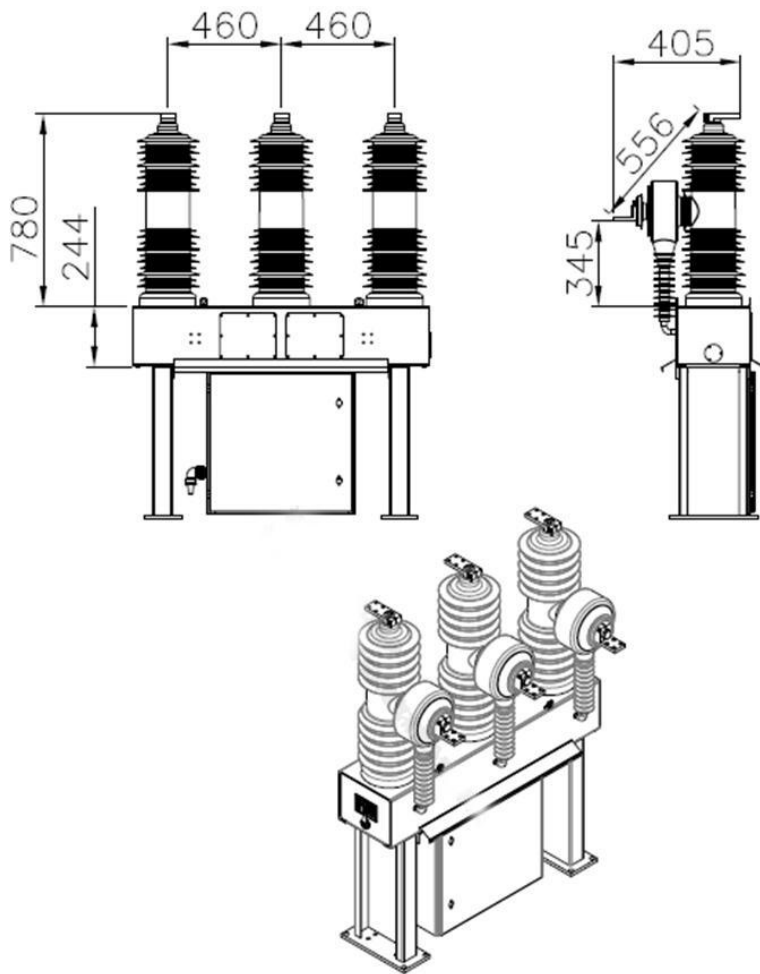


(Without CT type)

Note:

For special requirements and technical problems please contact the company's technology department.

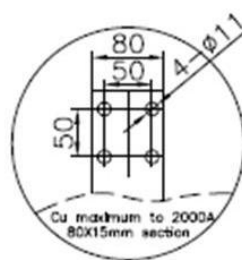
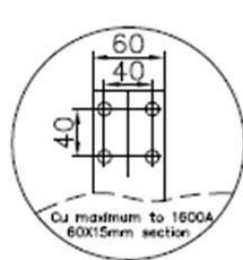
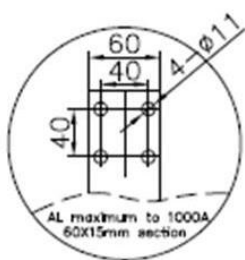
➤ **General Arrangement Breaker with protection Ring CT**



800A terminal

1250A terminal

1600A terminal



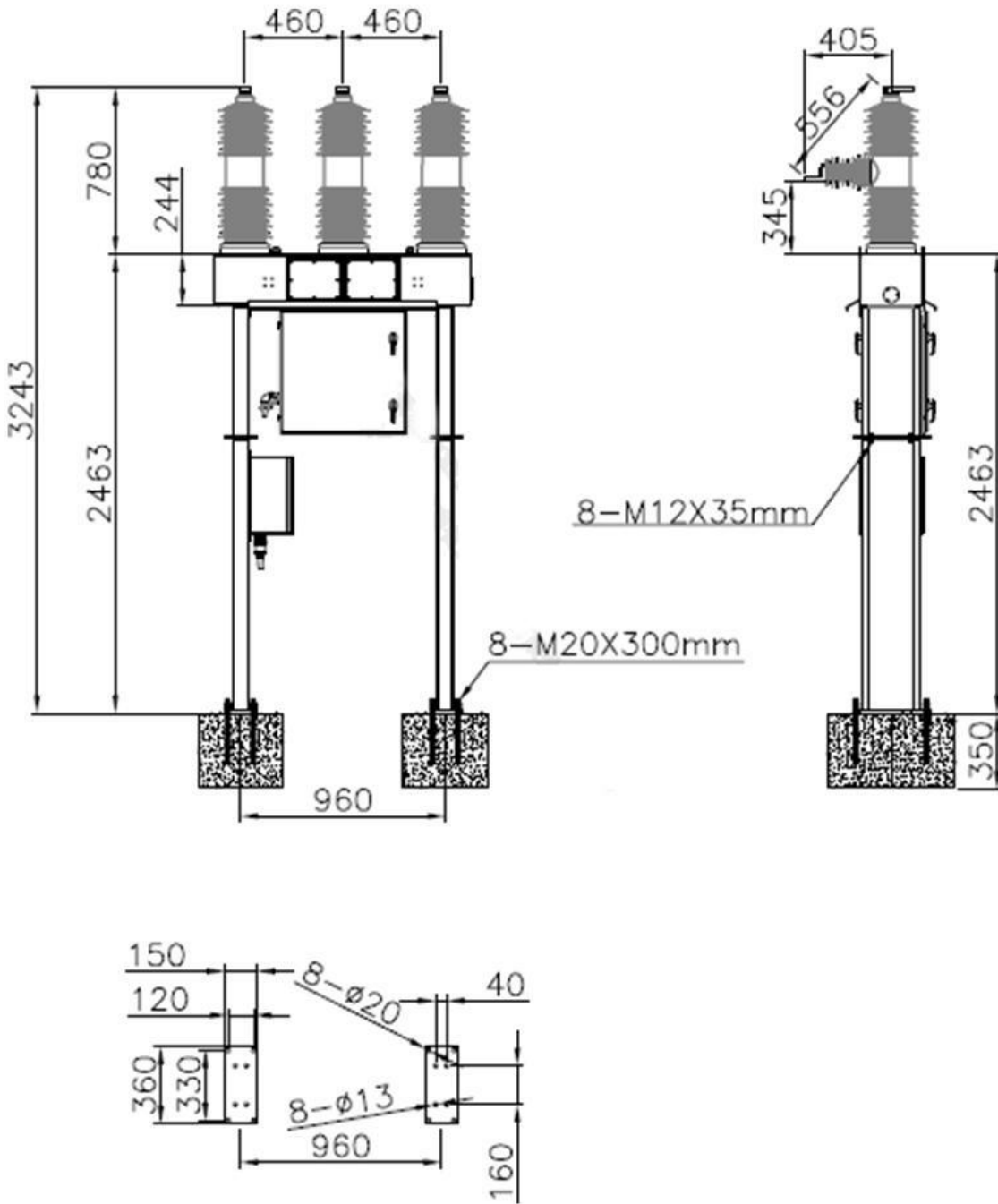
(With Ring type CT)

Note:

For special requirements and technical problems please contact the company's technology department

➤ **General Arrangement Including Typical Support Stands**

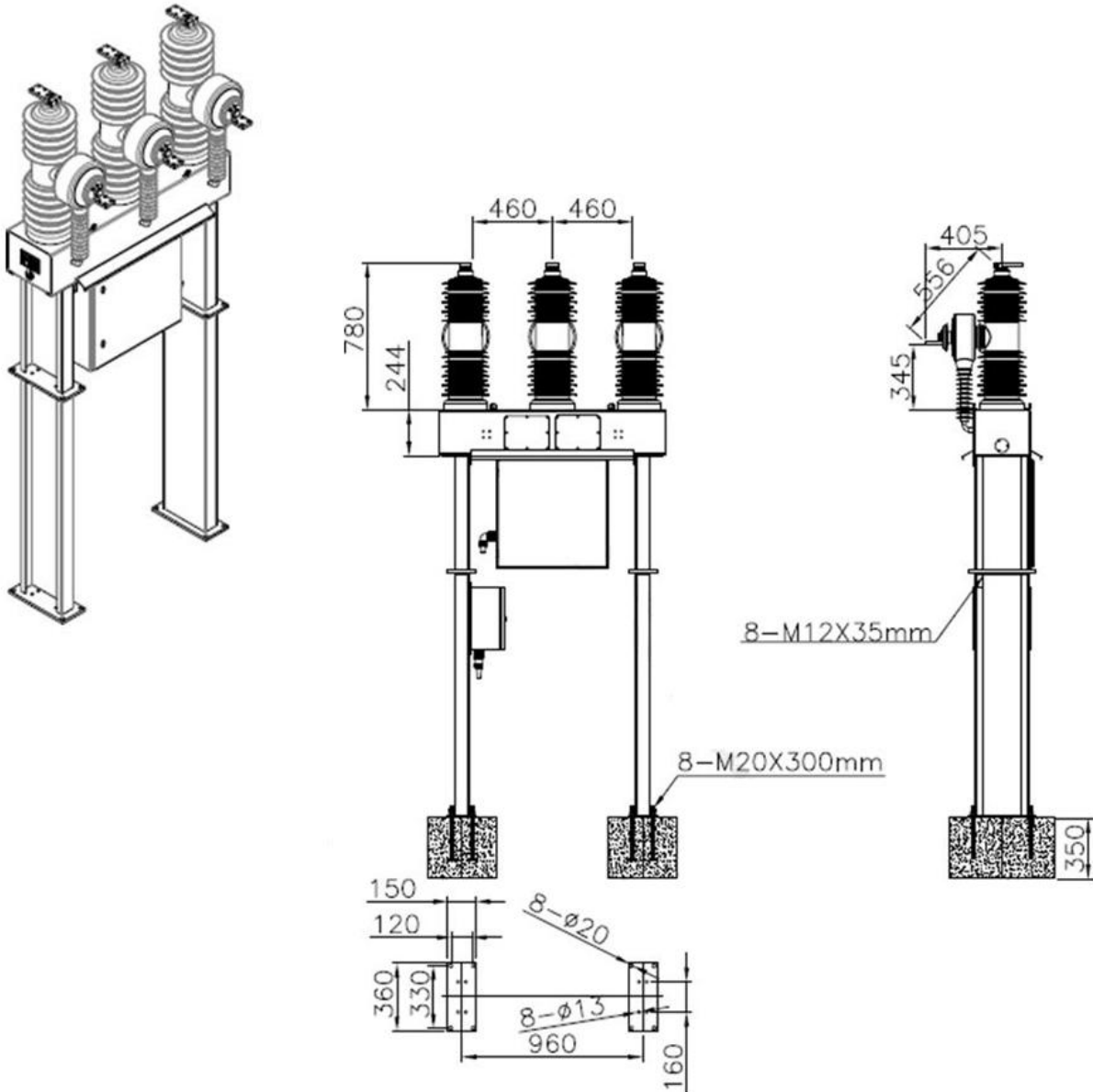
- Without Current Transformers



Note:

For special requirements and technical problems please contact the company's technology department.

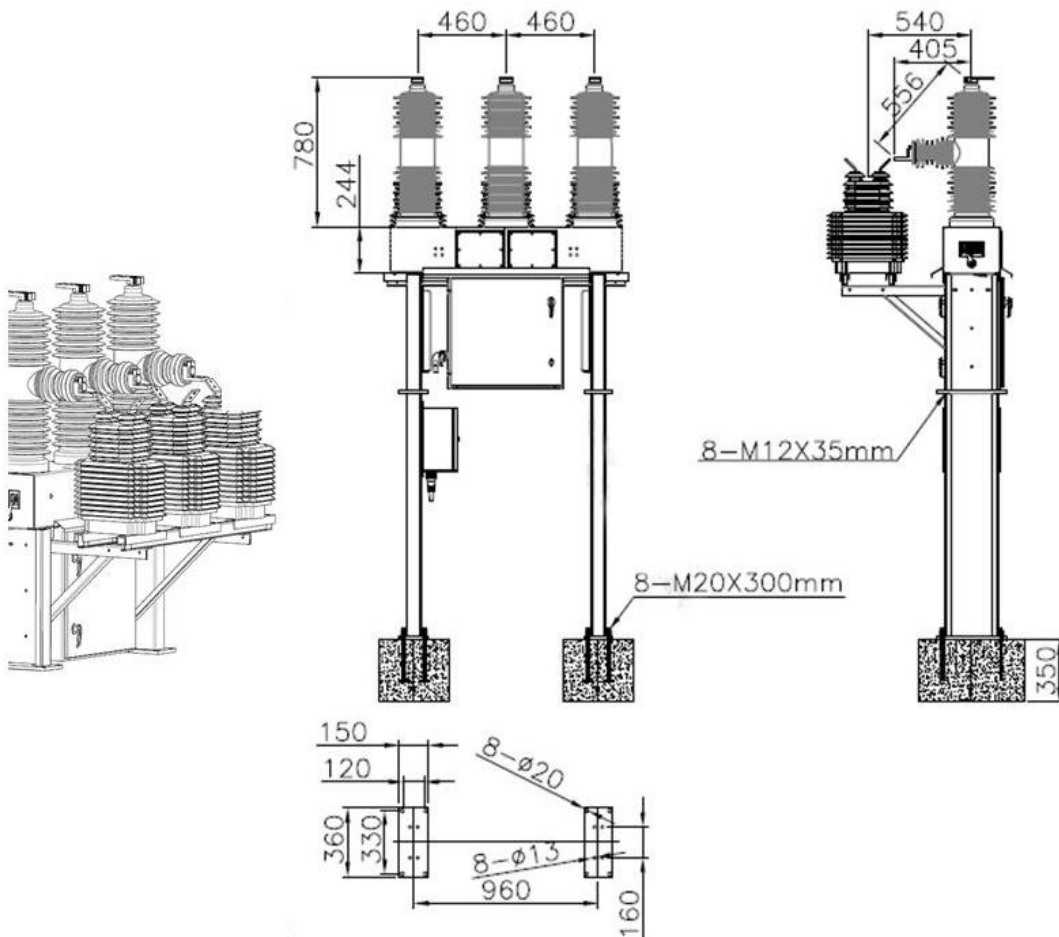
➤ **General Arrangement Including Typical Support Stands**
 - **With Ring Type Current Transformers**



Note:

For special requirements and technical problems please contact the company's technology department.

➤ **General Arrangement Including Typical Support Stands**
 - **With Multiple Type Current Transformers**



Note:
 For special requirements and technical problems please contact the company's technology department.

Knkong Electric Co.,Ltd
 No.25 Street,Hanghai Road,Zhengzhou,Henan,China
 +86 371 6021 6611
info@knkong.cn
 English:www.knkong.cn
 Español:www.knkong.cc
 Русский:www.knkong.ru