



Auto Recloser /Pole Mounted Vacuum Circuit Breaker

ZW32 Series

Knkong Electric Co.,Ltd

No.25 Street,Hanghai Road,Zhengzhou,Henan,China

+86 371 6021 6611

info@knkong.cn

www.knkong.cn www.knkong.cc www.knkong.ru

ZW32 series Pole Mounted Vacuum Circuit Breaker spring mechanism outdoor vacuum breaker, a kind of outdoor pillar high voltage vacuum circuit breaker, with 50/60Hz, three-phase alternating current and 15/27/38KV rated voltage. It apply to open circuit、close the load current、 overload current and short -circuit current and other power distribution system, such as substation、 industrial and mining.

➤ Normal Service Condition

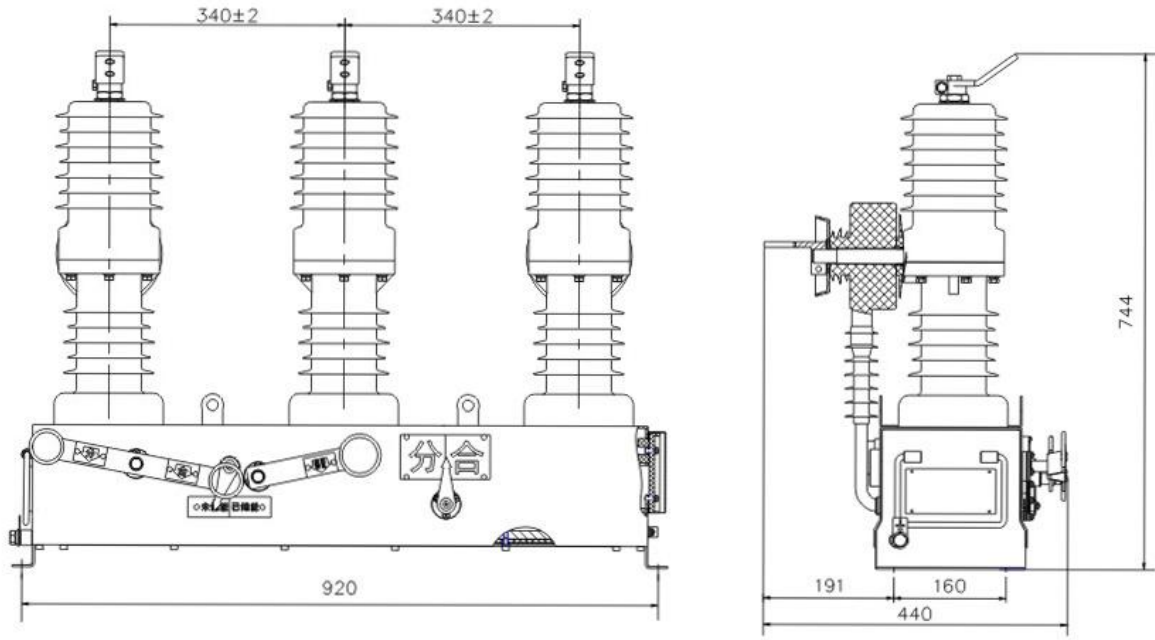
Altitude	≤2000m(optional≤4000)
Ambient temperature	-30℃ to 70℃ (optional -40℃ to 70℃)
Ambient humidity:	24 hour ≤95%
Maximum average humidity	1 month ≤90%
Maximum water vapor pressure	24 hours ≤2.2kpa
	1 month ≤1.8kpa

The ambient air has no obvious pollution of dust smoke, corrosive or combustible gases, steams or smog

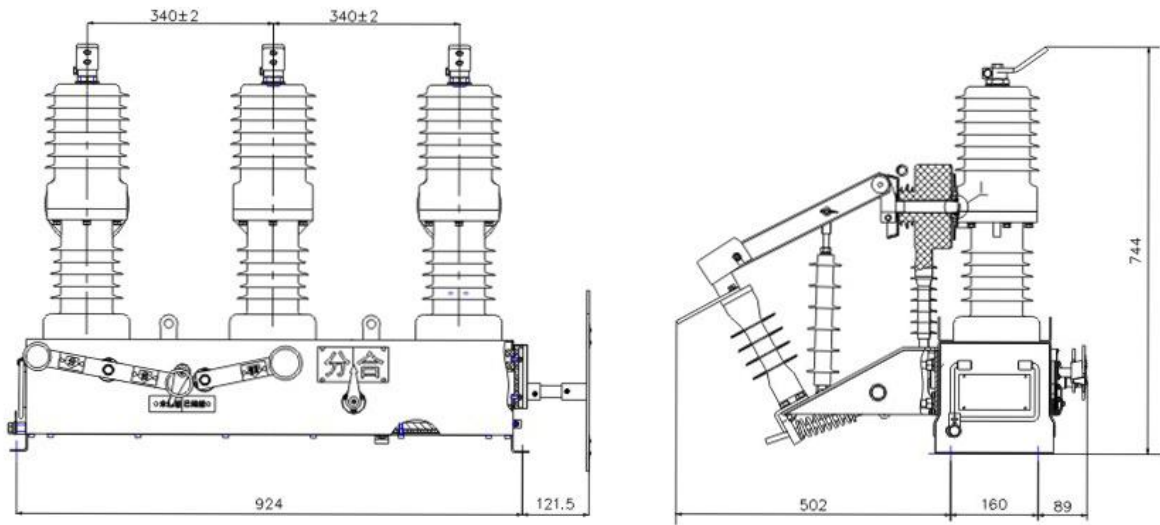
➤ Technical Parameters

No.	Item	Unit	Date			
1	Rated voltage	KV	12/15/17.5	24/25.8/27	36/38	
2	Rated current	A	630/800/1250/1600			
3	Rated frequency	Hz	50/60			
4	Power frequency	KV	Dry(1 min.)	50	60	70
			Wet(10 sec.)	45	50	60
5	Lighting impulse withstand voltage	KV	110	150	170	
6	Phase spacing	mm	250	320	394	
7	External creep distance,H2-ground		510	796	1486	
8	External creep distance,H1-H2		729	1017	1344	
9	Min. External strike distance		221	284	448	
10	Min. interrupting time	sec	0.050			
11	Max. closing time	sec	0.070			
12	Insulating material		Epoxy			
13	Ambient temperture	℃	-30 to 70(Optional -40 to 70)			
14	Humidity	%	≤100			
15	Degree of protection		IP65			
16	Rated operating		O-0.3s-CO-1s-CO-1s-CO-lockout			
17	Rated control voltage		AC100-240V/DC24V			
18	Applied Standard		IEC 602271-111			
19	Mechanism life	times	10000			

➤ Drawing: ZW32-12

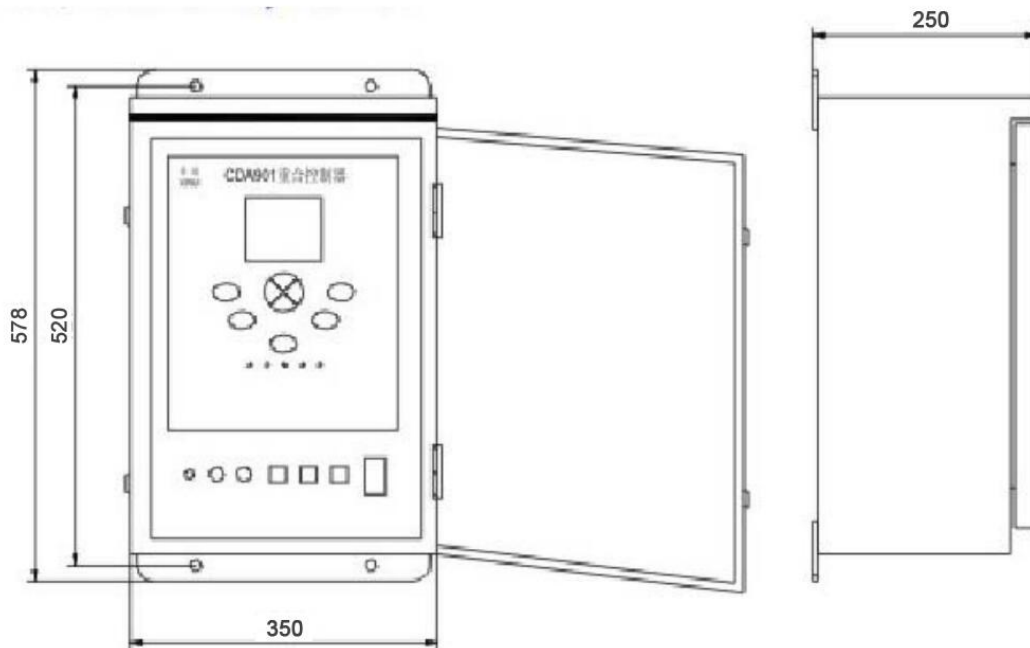


ZW32 VCB size without isolation



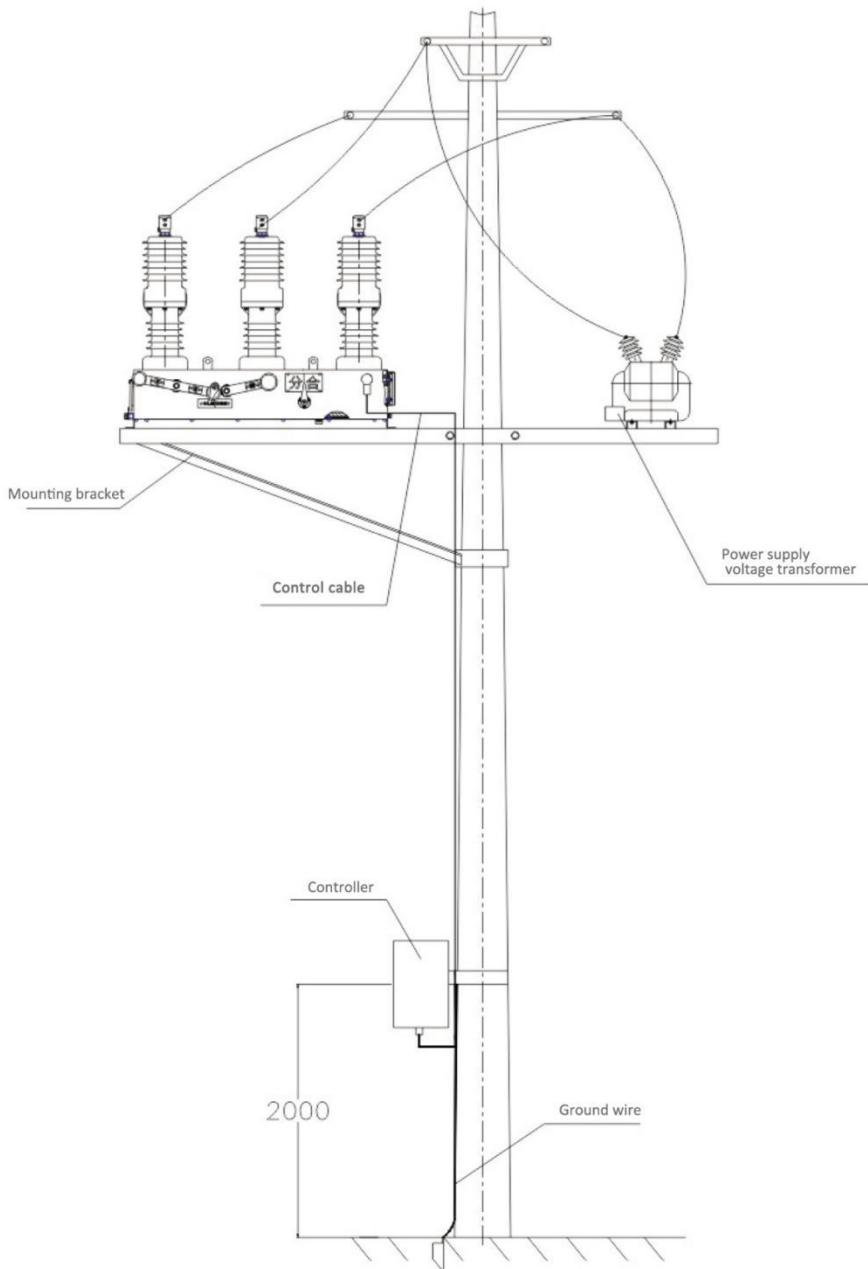
ZW32 VCB size with isolation

➤ Drawing: Controller box



➤ Specification

No.	Item	Value	Remark
1	CT Ratio Step size 0.1s Step size 0.1s Step size 0.1s Step size 0.1s	X:5	X to be mentioned upon order
2	Input voltage	AC220V±20%, 50HZ	
3	Output voltage	AC220V	
4	Protection accuracy(current)	±5%	
5	Inverse time current protection	Inverse time current curve	8 group 0.1,0.3,0.5,0.7,0.9,1.2,1.5,1.8
		Curve group	1-8 group Step size 1
		Start current	In
6	Reclosing time	Number of Times	3
		T1	0.3-180s Step size 0.1s
		T2	10-180s Step size 0.1s
		T3	10-180s Step size 0.1s
		Reset time	0.3-180s Step size 0.1s
7	Small current neutral grounding protection	Zero sequence current	0.5-10A Step size 0.1A
		Zero sequence delay	0.01-600s Step size 0.01s
8	Open & close passive contact rating	220AC 30A	
9	Environments temperature	-25-+40℃	
10	Enclosure material	Stainless steel	

➤ Installation:

Knkong Electric Co.,Ltd
No.25 Street,Hanghai Road,Zhengzhou,Henan,China
+86 371 6021 6611
info@knkong.cn
English:www.knkong.cn
Español:www.knkong.cc
Русский:www.knkong.ru