

Smart Plug

SP4L-EU

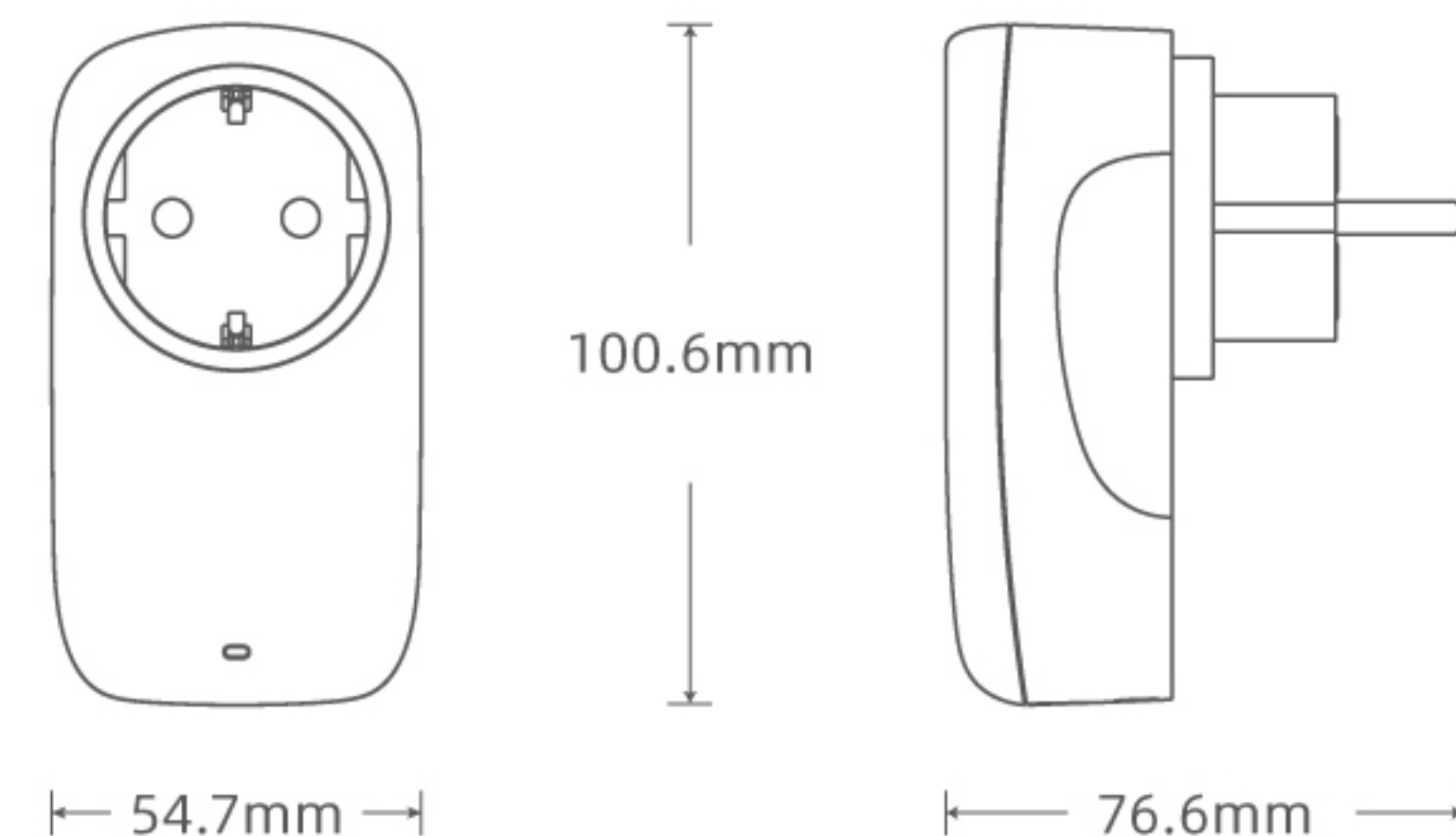
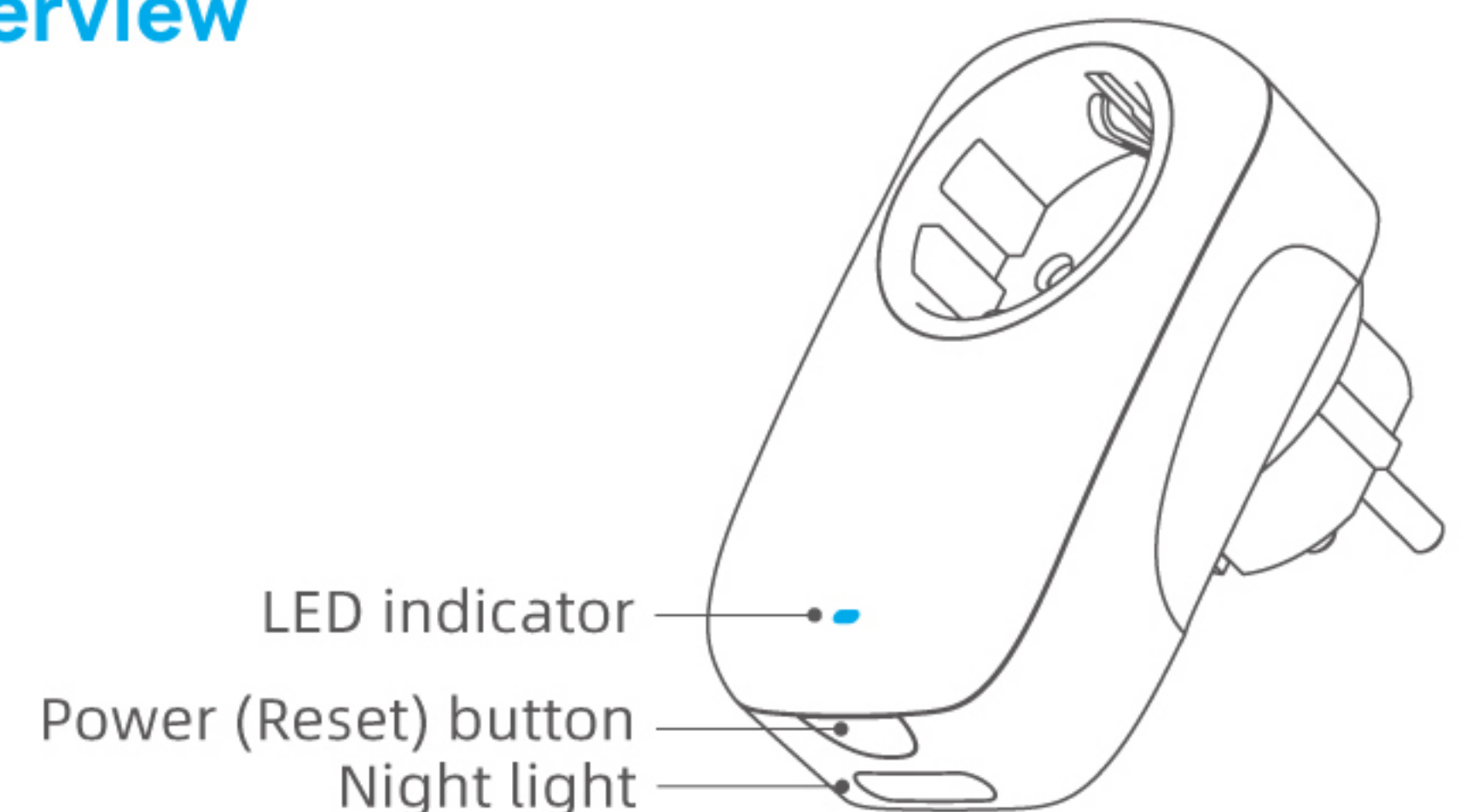


Q | BroadLink International

For more promotions and supports

web: www.ibroadlink.com
e-mail: support@ibroadlink.com

Overview



Indications

Status	Indication
Flashes quickly (5 times/sec)	Device is in Smart Setup mode (waiting to be added).
Flashes intermittently	Device is in AP (NoAPP) Setup mode (waiting to be added).
Flashes slowly then off	Device is being set up and added to network
Flashes slowly continuously	Device is failed to connect to network or disconnected from network
ON/OFF	Device is switched on/off

• Reset for AP (NoAPP) Setup

When the device is in any conditions, press and hold the power (reset) button for 5s until the LED indicator flashes intermittently. DO NOT hold longer than 10s, otherwise it will go to Smart Setup mode.

• Reset for Smart Setup

When the device is in any conditions, press and hold the power (reset) button for 10s until the LED indicator flashes quickly.

Troubleshooting

- 1. I couldn't get popup landing page, what can I do?**
After your phone is connected to "BroadLink_WiFi_Device" wireless network, open your phone web browser and input the address: "noapp.com".
- 2. I couldn't find home Wi-Fi network in landing page, what can I do?**
You may not have 2.4GHz Wi-Fi network in your home, check the Wi-Fi settings from your router manufacturer.
- 3. I couldn't get verification code by email, what can I do?**
Check your spam in email. If you are using email client, please try to check your email on webpage.

Important notices

- For indoor use in dry environment only.
- **DO NOT** connect to appliances before the device is added in App.